

MER

– Power Operated Exhaust Reels

TECHNICAL DATA

Unit specification

Motor type

Power supply	200-240/380-420V
Phase	3-phase
Current	2 amps
Frequency	50 or 60 Hz
Output	0.37 kW

Lifting capacity:

Maximum load (hose and nozzle) is 50 kg/110 lbs

Installation:

On ceiling or wall.

Maintenance:

Normal wear, no maintenance required.
See owner's manual.

Temperature range:

MER-850 and -1050 depending on hose, from +150°C/300°F to +350°C/660°F.
Temperatures over 150°C/300°F, intermittent use only.
MER-1250-200 depending on hose, from +150°C/300°F to +650°C/1200°F.
Temperatures over 300°C/575°F, intermittent use only.

Max hose length:

Depending on hose diameter.
See chart on next page.

Model range

Comes in the models;
MER-850, MER-1050 for 75-150mm / 3-6" (hose mounting kit needed) and
MER-1250-200 for 200mm / 8" (hose mounting kit included).

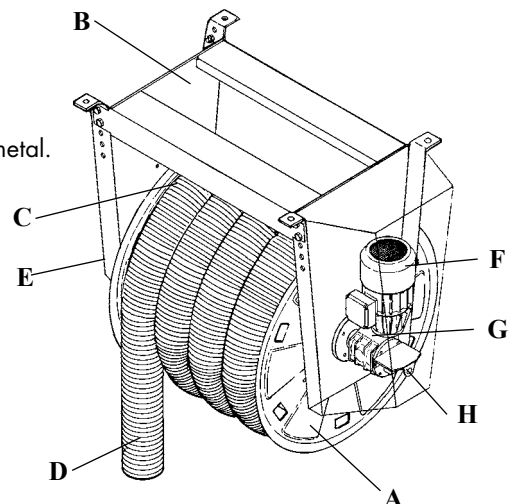
Hose mounting kits (MER-850 and -1050)

MAP-75 for 75mm hose
MAP-100 for 100mm hose
MAP-125 for 125mm hose
MAP-150 for 150mm hose

Construction

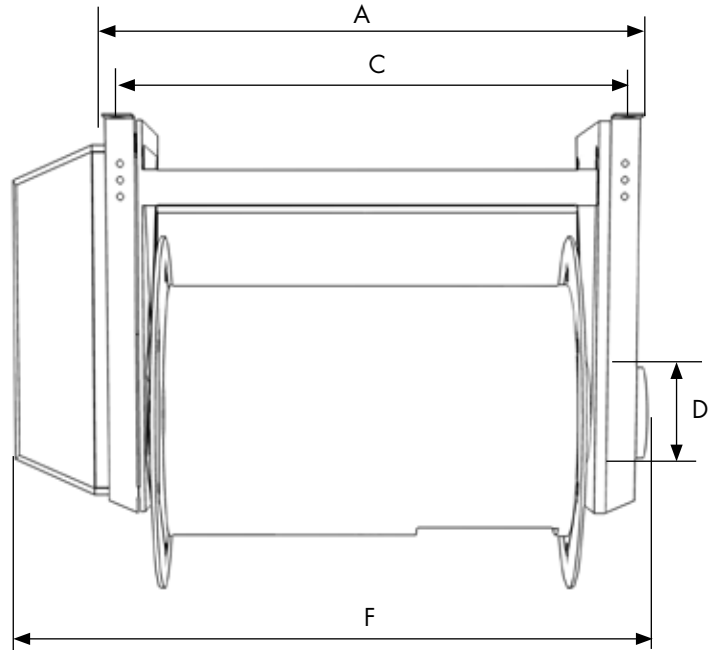
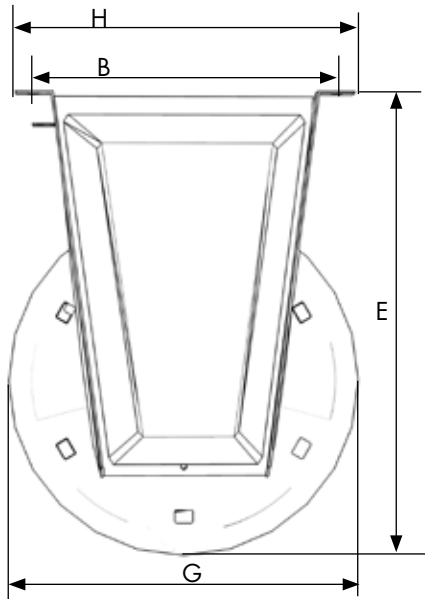
Power operated exhaust reel:

- A. Zinc coated drum with end plates from powder painted sheet metal.
- B. Stand made of profiled, zinc coated sheet metal.
- C. Hose guide, which controls the hose in its first revolution.
- D. Hose. Note! Hose must be ordered separately.
- E. Adapter to fan or central exhaust system.
- F. Motor
- G. Worm reduction gear. Quiet and maintenance-free.
Uncoiling speed: 0.4 m/s.
- H. Limit switches, upper, lower and extra for damper/fan control.



DIMENSIONAL DATA

	MER-850	MER-1050	MER-1250-200
A	1030 mm/40.5"	1230 mm/48.4"	1430 mm/56.3"
B	500 mm/19.7"	500 mm/19.7"	525 mm/20.7"
C	974 mm/38.3"	1174 mm/46.2"	1374 mm/54.1"
D	Ø 160 mm/6.30"	Ø 160 mm/6.30"	Ø 200 mm/8"
E	790 mm/31.1"	790 mm/31.1"	1117mm/44"
F	1230 mm/48.4"	1430 mm/56.3"	1620 mm/63.8"
G	600 mm/23.6"	600 mm/23.6"	735 mm/28.9"
H	552 mm/21.7"	552 mm/21.7"	577 mm/21.7"



PRESSURE LOSS

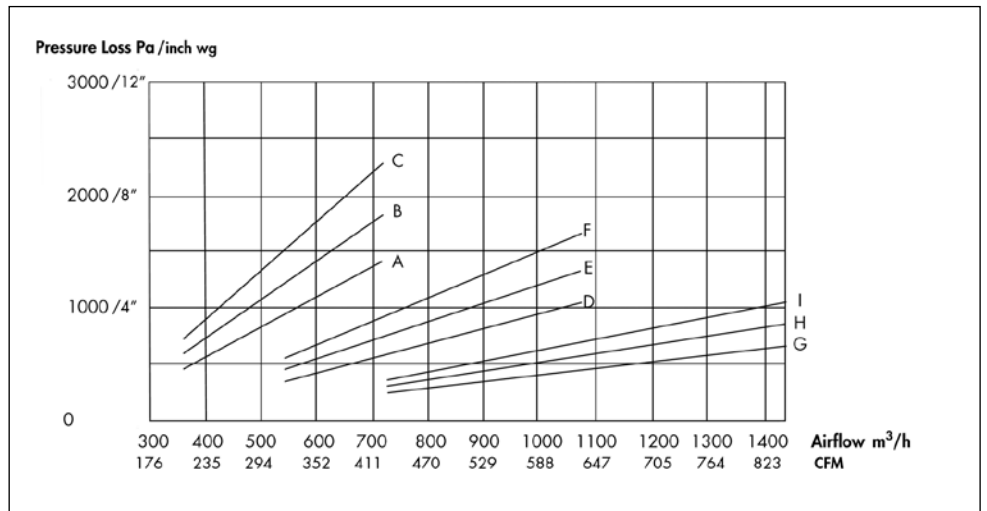
The diagram shows the pressure loss in the hose reels at different airflows in uncoiled position.

Read the diagram at the recommended airflows;
 Cars 360 m³/h (211 cfm).
 Lorries 1080 m³/h (635 cfm).

The diagram shows these combinations of hose diameter/hose length:

- A. Ø 100 mm/4", length 7.5 m/24,7 ft
- B. Ø 100 mm/4", length 10,0 m/32,8 ft
- C. Ø 100 mm/4", length 12,5 m/41 ft
- D. Ø 125 mm/5", length 7,5 m/24,7 ft
- E. Ø 125 mm/5", length 10,0 m/32,8 ft
- F. Ø 125 mm/5", length 12,5 m/41 ft
- G. Ø 150 mm/6", length 7,5 m/24,7 ft
- H. Ø 150 mm/6", length 10,0 m/32,8 ft
- I. Ø 150 mm/6", length 12,5 m/41 ft

Pressure loss MER-1250-200
 1100Pa at 2000m³/h /
 4,4" at 1175cfm.



ACCESSORIES

Hose types

EH-PV

High quality crush resistant hose designed for temperatures from 40°C/104°F to 150°C/300°F. Recommended for areas where exhaust hose will be subjected to vehicles driving over the exhaust hose.

EF

High quality fabric composite hose designed for exhaust gas temperatures from 300°C/570°F to 350°C/660°F intermittent use. Recommended for areas that service heavy trucks and off-road vehicles.

EG

High quality fabric composite hose designed for exhaust gas temperatures from 200°C/390°F to 220°C/430°F intermittent use. Recommended for areas that service cars and light trucks.

Hose recommendations

Prod.no.	Hose diameter	Hose length	Weight without hose
MER-850-75	Ø 75 mm/3"	15,5 m/51'	62kg/137 lbs
MER-850-100	Ø 100 mm/4"	14 m/46'	62kg/137 lbs
MER-850-125	Ø 125 mm/5"	12,5m/41'	62kg/137 lbs
MER-850-150	Ø 150 mm/6"	10 m/33'	62kg/137 lbs
MER-1050-125	Ø 125 mm/5"	14 m/46'	70 kg/154 lbs
MER-1050-150	Ø 150 mm/6"	12,5m/41'	70 kg/154 lbs
MER-1250-200	Ø 200mm/8"	12,5m/41'	75 kg / 165 lbs

Nozzles

See separate data sheets.



Fans

See separate data sheets.

F-serie direct mount fans

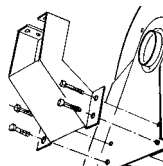
TEV- series central fans



Fan mounting kit

FMA-80 for FUA-1300-2100 (MER-850-1050)

N/A for MER-1050-200



Micro switch MSR-24/2

Used for control of damper and/or fan on exhaust reels.



Starter SA-24

Starter for fan. Power supply

3-phase 230/400 V.



Motor-driven damper MD/-160/-200

Motorised damper Ø 160/200mm.

Power supply 24 VAC.



Transformer TR-24

Transformer 230/24 Volt to supply motor-driven dampers when no other control equipment is used.



ECMSO

Manual motorstarters with overload. 1 - 16 A, 230 - 690 VAC



PLYMOVENT®

PlymoVent representative

Sales office
PlymoVent AB
Tangenten 2, Industrigratan 26,
SE-212 14 MALMÖ, Sweden
Tel: +46 40 30 31 30
Fax: +46 40 30 31 40
info@plymovent.se

USA
PlymoVent Corp.
115 Melrich Road
Cranbury, New Jersey 08512, USA
Tel: +1 (609) 395-3500
Fax: +1 (609) 655-0919
info@plymoventusa.com

Canada
PlymoVent Canada Inc.
24-1200 Aerowood Dr.
Mississauga, ON L4W 2S7, Canada
Tel: +1 (905) 564-4748
Fax: +1 (905) 564-4609
info@plymovent.ca
www.plymovent.com

England
PlymoVent Ltd
Marley Way, Southam Road
Banbury, OX16 2RA, England
Tel: +44 1295 25 93 11
Fax: +44 1295 27 17 50
info@plymovent.co.uk