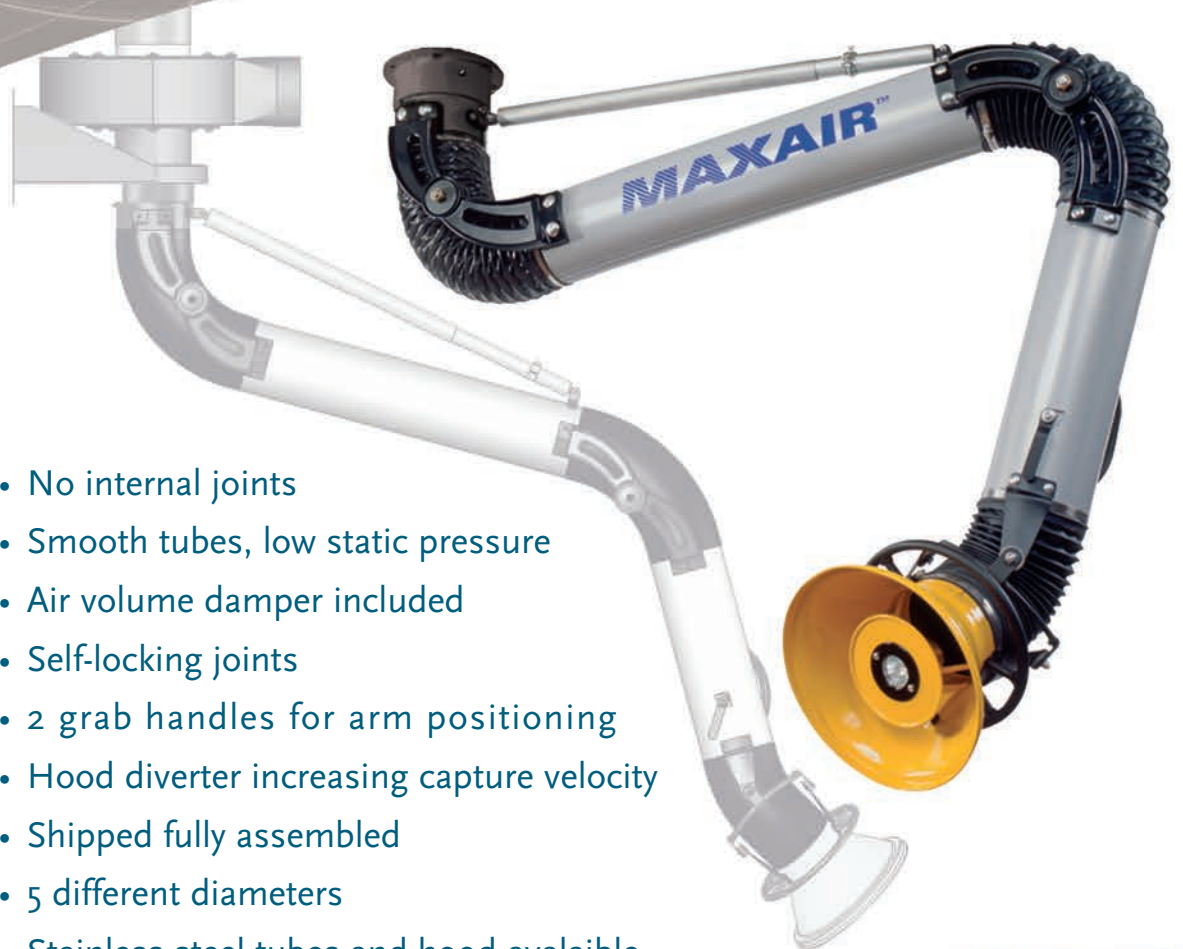


MAXAIR™

AQC SOURCE CAPTURE EQUIPMENT

FUME ARMS



- No internal joints
- Smooth tubes, low static pressure
- Air volume damper included
- Self-locking joints
- 2 grab handles for arm positioning
- Hood diverter increasing capture velocity
- Shipped fully assembled
- 5 different diameters
- Stainless steel tubes and hood available



*Superior technology generating
substantial operating savings*



DUST
COLLECTING
SYSTEMS

Articulated fume extractor arm

Overhead canopies are a thing of the past. Workers were actually breathing the dust and smoke-filled air as it was travelling upward toward the canopy. Source capture is the safe and the right way to eliminate the harmful pollutants significantly that are the primary cause of lung diseases. Maxair fume arms are built to reduce the presence of industrial indoor air particles. From laboratories to large welding shops, Maxair fume arms will get the job done.



A Leading-Edge, High-Performance Company

The AQC Dust Collecting Systems division manufactures a full range of safe, industrial dust collectors, as well as dust and smoke capture equipment at the leading edge of air pollution control technologies based on more than 30 years' experience in the field.

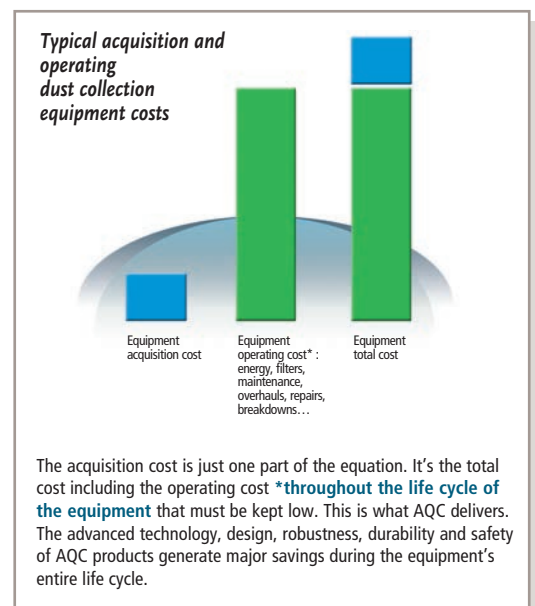
AQC's strength lies in its innovative products designed and developed to generate substantial savings throughout their entire operating life.

AQC is renowned for its technological innovation, safe and sophisticated equipment design, as well as its robust and precise product manufacturing. For example, the unique design of the baffles inside AQC dust collectors makes filter cleaning easy. The AQC cartridge holder design provides maximum filter surface and enhanced filter performance. The ultra-smooth concept inside AQC fume arms makes them maintenance-free.

In short, AQC equipment is designed and built to generate substantial operating savings in terms of time, money and energy. This translates to major reductions in operating costs – from 10 to 20% – throughout the equipment's service life. This scale of savings can represent a significant portion of the equipment's total purchase price. Companies looking to maximize their profitability should factor in these savings when purchasing equipment.

The unique design and manufacturing of AQC equipment generates significant savings for various reasons :

- Substantial increase in the duration of filters.
- Lower energy consumption during years of use.
- Significantly less maintenance (easy to clean, robust manufacturing, a minimum number of more reliable and durable parts).
- Reduced operating costs (less frequent overhauls, lack of or minimum down time, etc.).
- Lower administrative costs (coordination, follow-ups, supervision) due to much less frequent breakdowns.
- Safe design can prevent serious or even fatal accidents.
- Increased comfort and productivity of personnel.



MAXAIR A FULL LINE OF ARTICULATED FUME EXTRACTOR ARMS

Efficient, robust and easy to handle

Most of our competitors do not include these standard features :

- Highly functional design facilitates fume arm handling and ease of movement.
- All supports and articulation joints are outside of the fume arm. The inside is smooth, without any obstacles that could reduce air flow, accumulate deposits and increase internal friction, which consume energy unnecessarily.
- External supports and articulation joints are readily accessible, easy to adjust and require no maintenance.
- Air diverter in hood significantly increases dust and smoke capture velocity.
- The unique design of the robust and durable top pivot made of steel makes 360° rotation easy.
- The MAXAIR steel tube fume arm is far more spark-resistant than constructions with a flexible hose.
- All MAXAIR arms are delivered pre-assembled and adjusted, ready for rapid installation and operation.

THE MAXAIR FUME EXTRACTOR ARM HAS ARRIVED...

Multi-application equipment

- Welding • Gouging • Dusts • Cutting • Grinding
- Fumes • Extrusion lines • Gases

Table/bench mount model



TYPICAL APPLICATIONS FOR THE MAXAIR FUME ARMS

Hanging model



3" [75 mm] and 4" [100 mm]

- Laboratories
- Research facilities
- Beauty parlors
- Small dust applications
- Museums
- Soldering
- Light welding

3" arms available in 3' [1 m] and 5' [1.5 m] models

4" arms available in 5' [1.5 m], 7' [2 m] and 8' [2.5 m] models

5" [125 mm]
6" [160 mm]
8" [200 mm]

- Medium to heavy welding
- Heavy smoke
- Plasma cutting
- Grinding and sanding
- Foundries
- Large dusts applications
- Gouging

These arms are available in 7' [2 m], 10' [3 m] and 14' [4 m] lengths



Stainless steel arms

- Pharmaceutical • Food processing
- Caustics • Corrosive gases
- Solvent fumes • Laboratories
- High temperature • High humidity
- Aggressive applications
- F.D.A. hose available

304 stainless steel model (luster finish)



These stainless steel fume arms are designed for "wipe down" cleaning maintenance only. For "wash down" maintenance, A.Q.C. offers full anodized aluminum parts. Contact your representative for details.

Telescopic fume arms

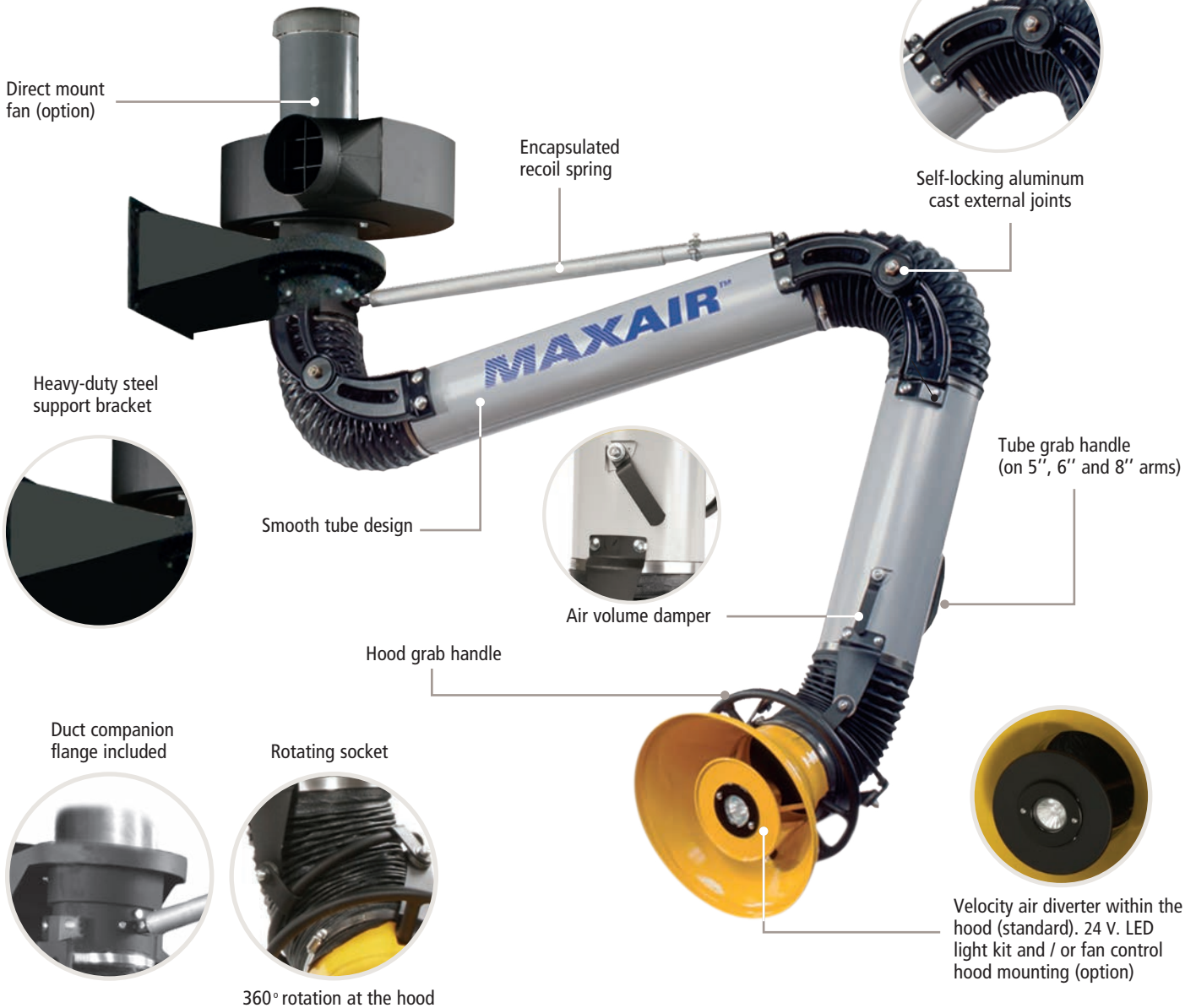
Fume arm tubes are made of galvanized steel tubes with self locking joints, which include friction discs and are fully adjustable. The arms have a handle that completely encircles the hood to facilitate easy positioning from all sides. All joints include hoses which are gear clamped to the tubes.

Ideal for :

- Confined space (cubicles)
- Teaching facilities
- Low-ceiling applications

Telescopic fume arms are available in 4", 5" and 6" diameters
Telescopic action is 52" to 72" in length

OUTSTANDING MAXAIR STANDARD FEATURES



Note : to assure proper installation, refer to local building laws and requirements. Support structure has to meet sturdiness and reliability for weight and torque of fume arm and equipment.

GENERAL DESCRIPTION

Standard fume arm tubes are made of steel with external cast aluminum joints, which include friction discs and are fully adjustable. The arms have a handle that completely encircles the hood to facilitate easy positioning. Aluminum hood diameters vary from 7" on the 3" arms, to 13" on the 6" and the 8" arms. All joints include a 275 °F (135 °C) hoses, which are gear clamped to the tubes. All hoods may be fitted with an optional 24 V. LED light kit and/or fan start/stop switches. The hood diverter (except on 3" arms) increases capture velocity. MAXAIR self-locking arms can be combined with several accessories to provide the best solution to specific problems.

A large variety of hoods can be manufactured to suit particular requirements. Tubes are available in aluminium and 304 stainless steel (luster finish). Custom colors for arm tubes are available on request (minimum quantity required).

MODEL NUMBERS

Hanging and table/bench mount

CHART 1

Hanging	Bench mount	Stainless steel hanging	Stainless steel bench mount	Arm diameter [inches] / [mm]	Arm length [feet] / [m]	Standard hood diameter [inches] / [mm]	Optional hood diameter [inches] / [mm]	Weight [lbs] / [kg]
FA-HPG3-03	FA-PPG3-03	FA-HSS3-03	FA-PSS3-03	3 / 75	3 / 1.0	7 / 185	–	14 / 6.3
FA-HPG3-05	FA-PPG3-05	FA-HSS3-05	FA-PSS3-03	3 / 75	5 / 1.5	7 / 185	–	16 / 7.2
FA-HPG4-05	FA-PPG4-05	FA-HSS4-05	FA-PSS4-05	4 / 100	5 / 1.5	8 / 200	–	17 / 7.7
FA-HPG4-07	FA-PPG4-07	FA-HSS4-07	FA-PSS4-07	4 / 100	7 / 2.0	8 / 200	–	19 / 8.6
FA-HPG4-08	FA-PPG4-08	FA-HSS4-08	FA-PSS4-08	4 / 100	8.5 / 2.5	8 / 200	–	22 / 10
FA-HPG5-07	FA-PPG5-07	FA-HSS5-07	FA-PSS5-07	5 / 125	7 / 2.0	10 / 250	15 / 375	38 / 17.2
FA-HPG5-10	FA-PPG5-10	FA-HSS5-10	FA-PSS5-10	5 / 125	10 / 3.0	10 / 250	15 / 375	43 / 19.5
FA-HPG5-14	FA-PPG5-14	FA-HSS5-14	FA-PSS5-14	5 / 125	14 / 4.0	10 / 250	15 / 375	47 / 21.3
FA-HPG6-07	FA-PPG6-07	FA-HSS6-07	FA-PSS6-07	6 / 160	7 / 2.0	13 / 315	20 / 500	44 / 20
FA-HPG6-10	FA-PPG6-10	FA-HSS6-10	FA-PSS6-10	6 / 160	10 / 3.0	13 / 315	20 / 500	52 / 23.5
FA-HPG6-14	FA-PPG6-14	FA-HSS6-14	FA-PSS6-14	6 / 160	14 / 4.0	13 / 315	20 / 500	60 / 27.2
FA-HPG8-07	FA-PPG8-07	FA-HSS8-07	FA-PSS8-07	8 / 200	7 / 2.0	13 / 315	20 / 500	57 / 26
FA-HPG8-10	FA-PPG8-10	FA-HSS8-10	FA-PSS8-10	8 / 200	10 / 3.0	13 / 315	20 / 500	66 / 30
FA-HPG8-14	FA-PPG8-14	FA-HSS8-14	FA-PSS8-14	8 / 200	14 / 4.0	13 / 315	20 / 500	74 / 33.5

Telescopic fume arm

CHART 2

Models	Arm diameter [inches] / [mm]	Arm min. length [in] / [mm]	Arm max. length [in] / [mm]	Standard hood diameter [in] / [mm]	Optional hood diameter [in] / [mm]	Weight [lbs] / [kg]
FA-TPGG4-06	4 / 100	52 / 1300	72 / 1800	8 / 200	-	19 / 8,6
FA-TPGG5-06	5 / 125	52 / 1300	72 / 1800	10 / 250	15"	30 / 13.6
FA-TPGG6-06	6 / 160	52 / 1300	72 / 1800	13 / 325	20"	36 / 16.4

Recommended air flow per arm

CHART 3

Arm diameter [inches] / [mm]	CFM	L/s
3 / 75	125 / 200	60 / 95
4 / 100	150 / 350	70 / 165
5 / 125	350 / 550	165 / 260
6 / 160	600 / 800	280 / 380
8 / 200	800 / 1400	380 / 660

Recommended fan selection for single arm application

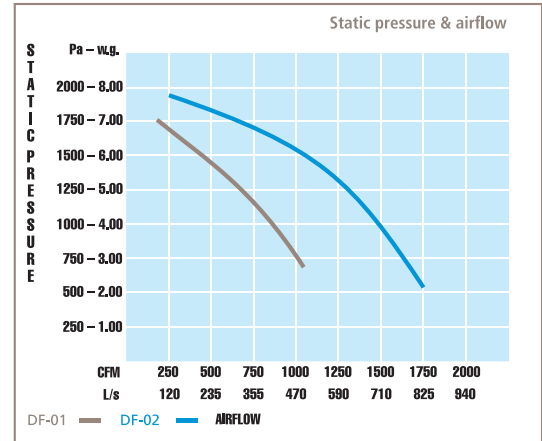
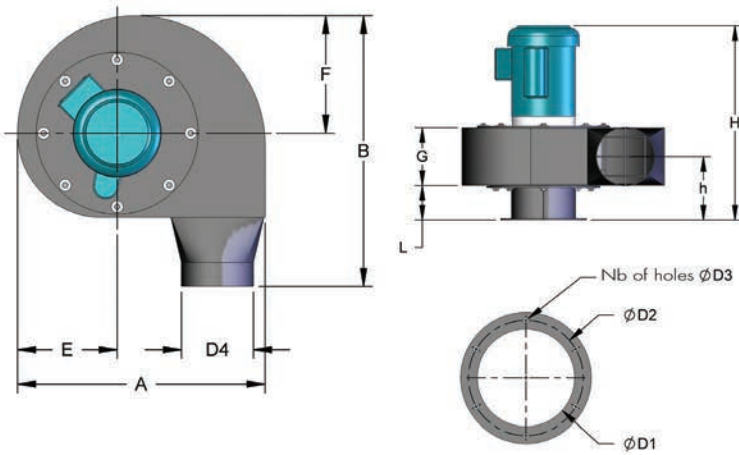
CHART 4

Arm diameter [inches] / [mm]	Fan model	HP / KW
3 / 75	DFR-8	0.33 / 0.25
4 / 100	DFR-9	0.33 / 0.25
5 / 125	DFR-11	1 / 0.75
6 / 160	DF-01	1 / 0.75
8 / 200	DF-02	2 / 1.50

Note : installation must be made according to local building codes and regulations.

MAXIDRIVE FANS (3450 R.P.M.)

Backward inclined (recommended for 6" and 8" diameter arms [160 mm and 200 mm])



Fan dimensions

CHART 5

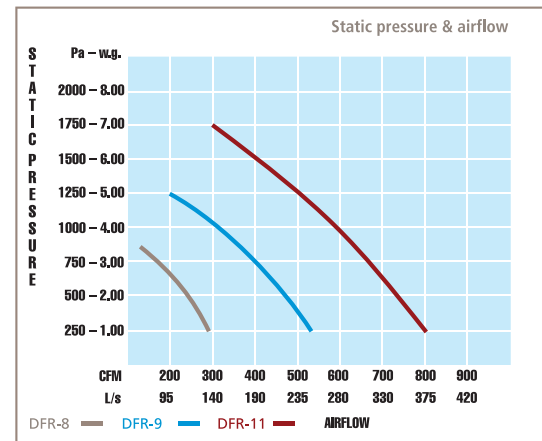
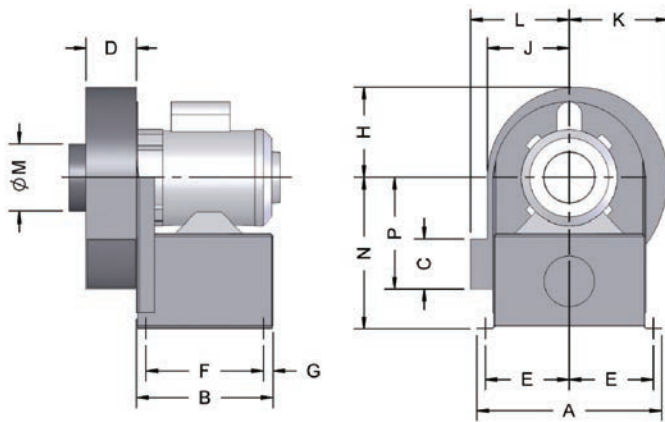
Model	Power [HP]	Dimensions [inches] / [mm]										Weight [lbs] / [kg]			
		A	B	E	F	H	L	G	h	d1	d2		d3	d4	Nb
DF-01	1 / 0.75	20.2 / 513	22.6 / 574	8.3 / 211	9.8 / 249	21.1 / 536	3.9 / 99	5.9 / 150	6.9 / 175	6.25 / 160	7.69 / 195	0.4 / 9	6 / 198	6	70 / 31.8
DF-02	2 / 1.50	22.7 / 577	24.8 / 630	9.2 / 234	11 / 279	24.8 / 630	4.9 / 124	6.3 / 160	7.4 / 188	8 / 200	9.69 / 246	0.4 / 9	8 / 249	8	82 / 37.3

Electrical note : fan motors indicated above are available in all voltages. Specify on order.

Technical note : refer to Maxidrive fan leaflet for complete data.

Recommended fans above are designed for arrangement as shown on page 9 of this leaflet.

Radial blade (recommended for 3", 4" and 5" diameter arms [75 mm, 100 mm and 125 mm])



Fan dimensions

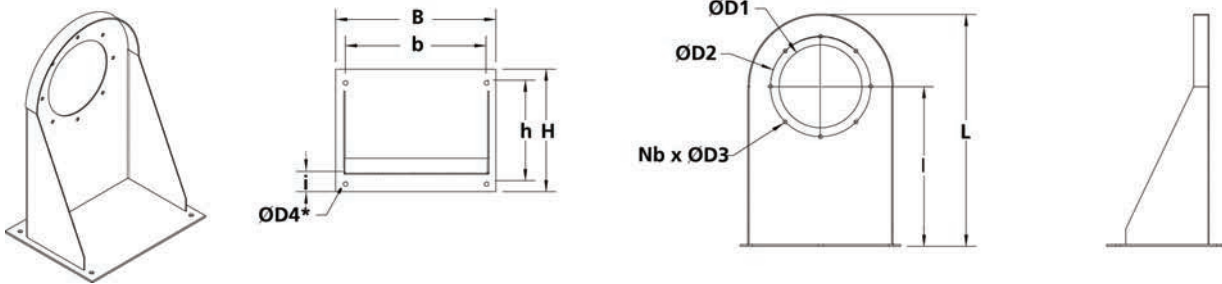
CHART 6

Model	[HP] / [KW]	Dimensions [inches] / [mm]												Weight [lbs] / [kg]		
		A	B	C	D	E	F	G	H	J	K	L	M		N	P
DFR-8	0.33 / 0.25	11 / 279	8 / 203	8 / 203	3 / 76	5 / 127	7 / 178	0.5 / 13	5.38 / 137	4.88 / 124	5.88 / 149	5.88 / 149	4 / 102	6.63 / 168	9 / 229	44 / 20
DFR-9	0.33 / 0.25	12.13 / 308	8 / 203	3.5 / 89	3.5 / 89	5.63 / 143	7 / 178	0.5 / 13	6.38 / 162	5.75 / 146	6.88 / 175	6.75 / 171	5 / 127	7.5 / 191	9.88 / 251	46 / 21
DFR-11	1 / 0.75	14.75 / 375	9 / 229	4 / 102	3.5 / 89	6.88 / 175	7.5 / 191	0.75 / 19	7.25 / 184	6.5 / 165	8 / 203	7.63 / 194	6 / 152	8.63 / 219	11.75 / 298	62 / 28

Electrical note : fan motors indicated above are available in 115/1/60.

Recommended fans above are designed for arrangement as shown on page 9 of this leaflet.

MAXAIR FUME ARM WALL AND BENCH MOUNTING BRACKET



Notes : Brackets shown below must be ordered separately. Bracket shown above is designed to support arm only.

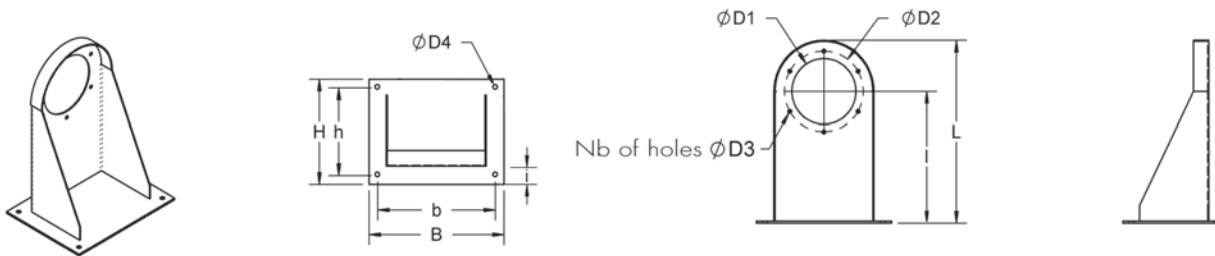
Arm bracket dimensions

CHART 7

Bracket type		Dimensions [inches] / [mm]													Weight [lbs] / [kg]
Painted steel	Stainless steel	Arm Diameter [in] / [mm]	D1	D2	Nb	D3	D4	L	I	H	h	B	b	i	
WBA-003	WBA-SS3	3 / 75	3.00 / 75	4.38 / 111	4	0.28 / 7	0.38 / 10	6.69 / 170	3.94 / 100	3.94 / 100	2.75 / 70	5.43 / 138	4 / 101	-	1 / 0.45
WBA-004	WBA-SS4	4 / 100	3.94 / 100	5.28 / 134	4	0.28 / 7	0.38 / 10	7.5 / 191	3.94 / 100	4.13 / 105	2.75 / 70	6.25 / 159	4.88 / 124	-	1 / 0.45

Note : dimensions indicated, are shown at closest decimal. Factory will supply exact dimensions with submittal.

FAN/ARM SUPPORT BRACKET DIMENSIONS



Note : Bracket shown above is designed to support arm only, fan only or fan/arm arrangements.

Arm bracket dimensions

CHART 8

Model		Dimensions [inches] / [mm]													Weight [lbs] / [kg]
Painted steel	Stainless steel	Arm Diameter [in] / [mm]	D1	D2	Nb	D3	D4	L	I	H	h	B	b	i	
WBF-005	WBF-SS5	5/125	5 / 127	6.5 / 165	6	0.28 / 7	0.43 / 11	17.44 / 443	12.56 / 319	10 / 254	8.25 / 210	13.25 / 337	11.25 / 286	1.75 / 44	5 / 2.3
WBF-006	WBF-SS6	6/160	6 / 160	7.7 / 195	6	0.28 / 7	0.43 / 11	17.44 / 443	12.38 / 314	10 / 254	8.25 / 210	13.25 / 337	11.25 / 286	1.75 / 44	11 / 5
WBF-008	WBF-SS8	8/200	8 / 200	9.7 / 246	8	0.35 / 9	0.43 / 11	22.3 / 567	15.41 / 391	11.75 / 298	9.75 / 248	15.38 / 391	13.38 / 340	2 / 51	13 / 5.9

Note : dimensions indicated are shown at closest decimal. Factory will supply exact dimensions with submittal.

MAXAIR MAXIMUM REACH FOR HANGING /BENCH MOUNT MODELS

Hanging model

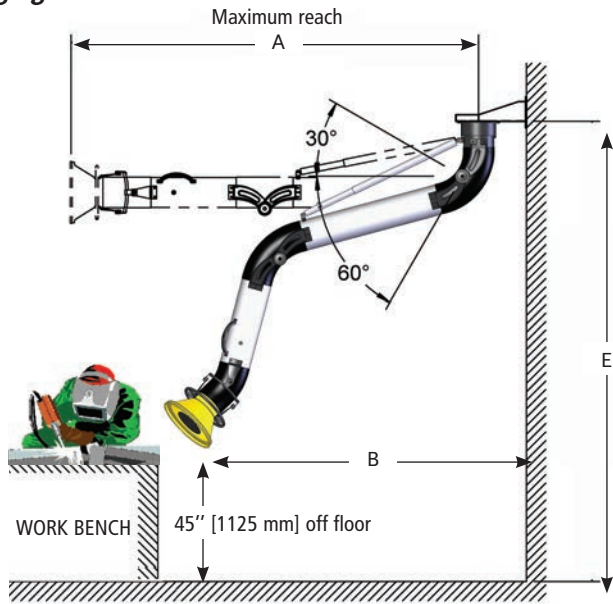


Table / bench mount model

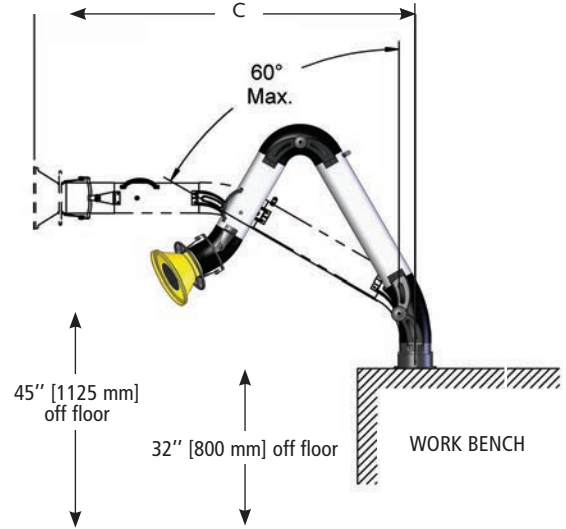
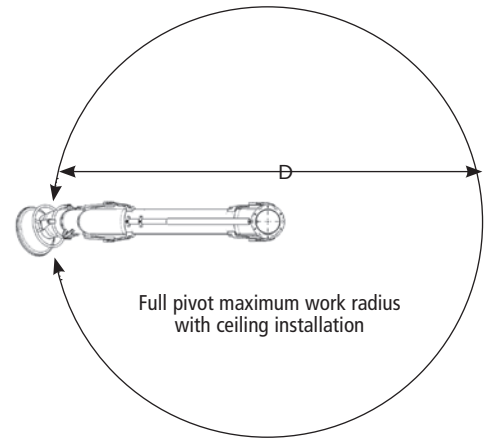


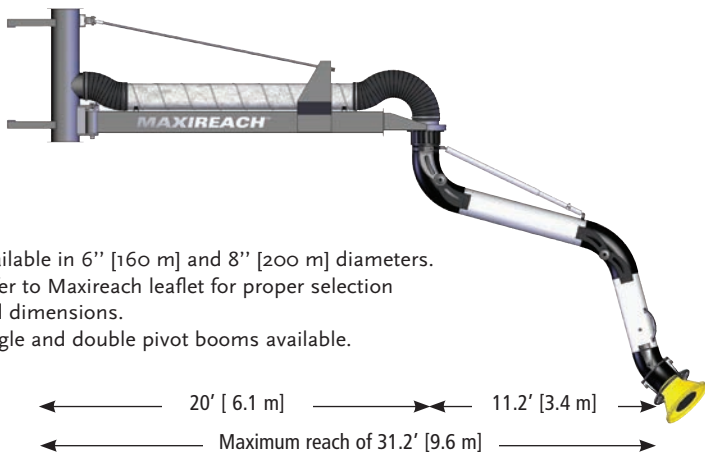
CHART 8

A Arm length [feet] / [m]	B Maximum reach at 45" off floor [feet] / [m]	C Maximum reach at 45" off floor [feet] / [m]	D Maximum reach at 45" off floor [feet] / [m]	E Recommended mounting height [feet] / [m]
3 / 0.9	2.6 / 0.7	3 / 0.9	5.2 / 1.4	6 / 1.5
5 / 1.5	3.5 / 1.1	5 / 1.5	7 / 2.2	6 / 1.5
7 / 2.1	5.5 / 1.7	7 / 2.1	11 / 3.4	6 / 1.5
8.5 / 2.6	7.4 / 2.2	7 / 2.1	14.8 / 4.4	7 / 2.1
10 / 3	8.5 / 2.6	7.8 / 2.4	17 / 5.2	8 / 2.4
14 / 4	11.2 / 3.4	10.2 / 3.2	22.4 / 6.8	8 / 2.4



Note on 14' (4 meters) long arms: reaches indicated in chart 9 are with WBF support brackets.

MAXAIR MAXIMUM REACH WITH MAXIREACH EXTENSION BOOMS

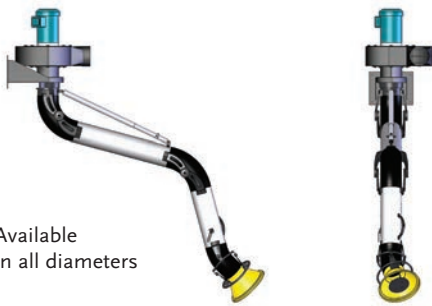


Available in 6" [160 m] and 8" [200 m] diameters. Refer to Maxireach leaflet for proper selection and dimensions. Single and double pivot booms available.

*Source capture
has never been
so easy...
and efficient*



MAXAIR SINGLE FUME ARM AND MAXIDRIVE FAN ARRANGEMENT



Available in all diameters

Typical installation of source capture arm for exhaust

MAXAIR FUME ARM AND MAXIREACH EXTENSION BOOM ARRANGEMENT



Available in 6" [160 mm] and 8" [200 mm] diameters. Refer to Maxireach leaflet for proper selection.

Typical installation of source capture arm with extended reach

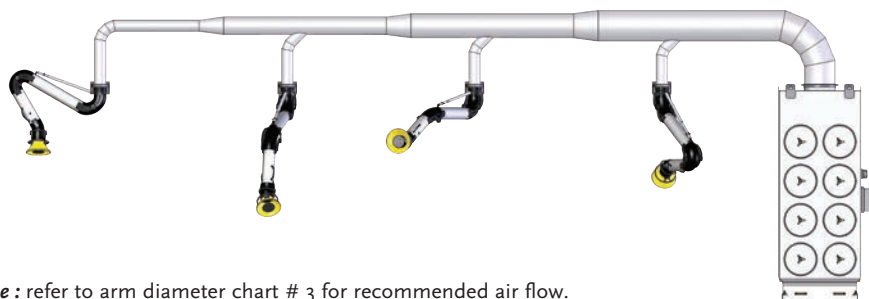
MAXAIR FUME ARM AND MAXIRAIL DUCT/TROLLEY SYSTEM



Available trolleys for 3" [75 mm], 4" [100 mm], 5" [125 mm] and 6" [160 mm] arms.

Typical installation of source capture arms with sliding trolley

MAXAIR FUME ARM WITH MAXIFLO DUST COLLECTOR ARRANGEMENT



Note : refer to arm diameter chart # 3 for recommended air flow. Refer to Maxiflo leaflet for proper dust collector selection.

Typical installation of source capture arms and filtration

OPTIONS

LED light kit (only) model FA-0000-71L
Fan switch (only) model FA-0000-71F
Light and fan switch model FA-0000-71LF
 (options above supplied with 25' (7.5 M) of low voltage cable)

Optional fume arm hood mesh protection.
Galv. steel mesh model : HW-WM1/2
Stainless steel mesh model: HW-WMSS1/2

NZ-FHM magnet base aluminum fume exhaust hoods, aluminum 1/2" mesh, grab handle and edge trim. Options: flexible hose for duct connection, air volume damper. Available in 3", 4", 5", 6", 8" inlet diameters.



Electrical note : 24 V transformer and / or starter needed for light kit and fan operation not included. Contact factory for proper selection and model number.

Note : light kit and fan switch are not recommended for stainless steel fume arm with wash down preventive maintenance.

Note : diverter and light kit assembly not available on 3" arms. Fan start / stop switch available.

Note : 3 watts LED light = 35 watts halogen = 162 lumens

MAXAIR FUME ARM EXTENSIONS AND FLOOR POSTS

Vertical floor posts (includes arm support bracket)



Models	Height [feet] / [m]	
VFP-06	6 / 1.85	For arms 7' [2.15m] long and less
VFP-08	8 / 2.6	For arms 8.5' to 14' [2.7 to 4 m] long

When ordered, add suffix digits according to arm diameter.

Ex. : VFP-08-06 refers to 8' high post and for 6" diameter arm

Horizontal fixed extensions (includes arm support bracket)



Models	Length [feet] / [m]
HFE-02	2 / 0.6
HFE-04	4 / 1.25

When ordered, add suffix digits according to arm diameter.

Ex. : HFE-04-06 refers to 4' long and for 6" diameter arm.

Ceiling support extensions

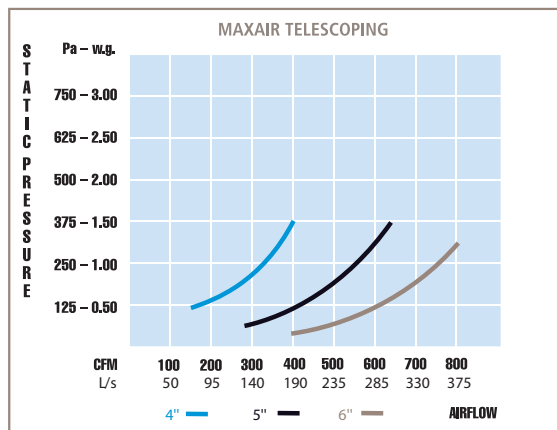
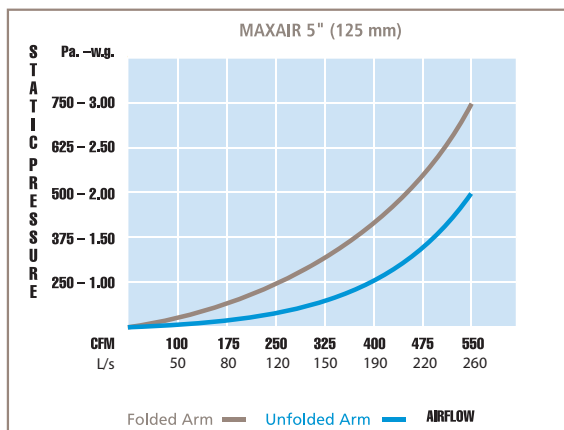
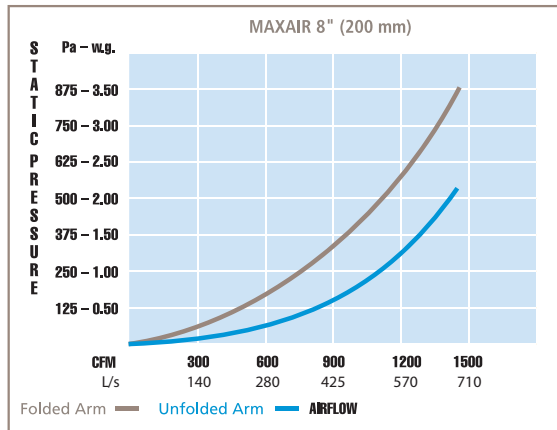
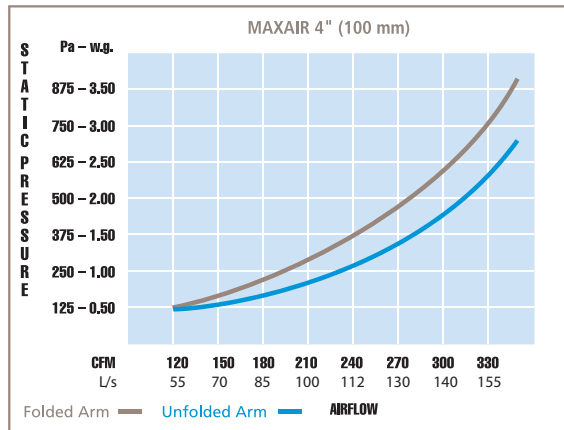
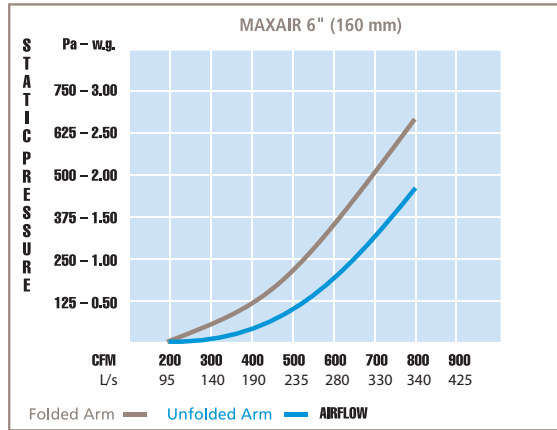
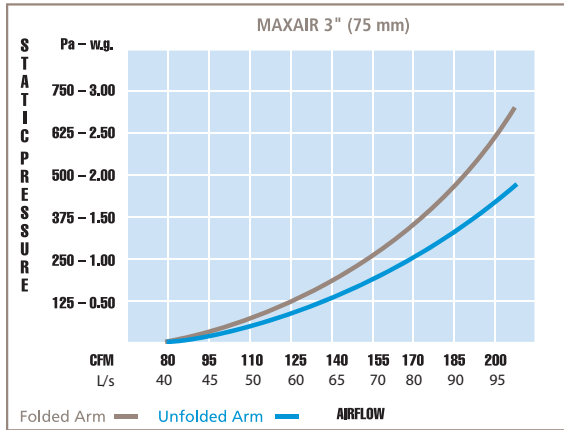


Models	Height [inches] / [mm]
CSE-30	30 / 750
CSE-36	36 / 900
CSE-42	42 / 1050

When ordered, add suffix digits according to arm diameter.
 Ex. : CSE-36-06 refers to 36" vertical and for 6" diameter arm.

Installation note: refer to local building laws prior to installation. Support structure has to meet sturdiness and weight of equipment.

STATIC PRESSURE & AIRFLOW



Note : MAXAIR fume arms are available in different lengths but have minimal variation in static pressure curves indicated above.

OPTIONS

- LED light kits on fume hoods
- Fan control switch on the hood
- High temperature or F.D.A. hoses at joints
- Vertical floor posts
- Wall and ceiling extension posts
- MAXIREACH pivot booms (up to 20' / 6 m)
- Protective wire mesh in hood
- Fan mounted above arm bracket
- Larger or custom inlet hoods
- Custom colors (minimum quantities required)
- Grounding wire for static discharge

CREATE YOUR MAXAIR FUME ARM SPECIFICATION

1. Fume arm should include:

Fume arm should include an air volume damper with handle on hood tube, air diverter within the hood to increase inlet velocity (except on 3" arms), circular grab handle around the hood for positioning of the arm and a secondary hood tube grab handle for 5", 6" and 8" [125 -160 and 200 mm] diameter arms, encapsulated recoil spring for 7', 10' and 14' [2, 3 and 4 m] arms, tubes will be 26 steel gauge, powder coat painted grey, flexible hose at arm joints will be thermal plastic rubber 275 °F [135 °C], fume arm joints will be powder coat painted steel for 3" and 4" diameter arms, powder coat painted cast aluminum for 5", 6" and 8" diameter arms, joint wheel for rotation and movement of fume hood.

2. Fume arm should be :

- a) hanging model
- b) bench mount model

3. Fume arm should have diameter of :

- a) 3" [75 mm] with 7" [175 mm] hood
- b) 4" [100 mm] with 8" [200 mm] hood
- c) 5" [125 mm] with 10" [250 mm] hood
- d) 6" [160 mm] with 13" [325 mm] hood
- e) 8" [200 mm] with 13" [325 mm] hood

4. 3" [75 mm] fume arm should have length of :

- a) 3' [0.9 m]
- b) 5' [1.5 m]

5. 4" [100 mm] fume arm should have length of :

- a) 5' [1.5 m]
- b) 7' [2.1 m]
- c) 8,5' [2,5 m]

6. 5", 6" and 8" [125, 160 and 200 mm] fume arm should have length of :

- a) 7' [2 m]
- b) 10' [3 m]
- c) 14' [4 m]

7. Fume arm should be telescopic type :

- a) FA-TPGG4-06 (4" telescopic 52" to 72")
- b) FA-TPGG5-06 (5" telescopic 52" to 72")
- c) FA-TPGG6-06 (6" telescopic 52" to 72")

8. Fume arm tubes should be constructed of:

Stainless steel with clear F.D.A. hoses 250 °F, [120 °C]
304 stainless steel

9. Fume arm hood should have a diameter of:

15" for 5" arms, 20" for 6" and 8" diameter arms
in lieu of standard hood.

10. Fume arm will be supplied with :

- a) black powder coat painted steel bracket
- b) 304 stainless steel support bracket
- d) floor mounted vertical post
- e) wall mounted horizontal post
- f) ceiling mounted vertical post

11. Fume arm will be supplied with :

- a) 24V LED light kit with hood switch
- b) 24V fan control with hood switch
- c) 24V LED light kit and fan control hood switches
- d) galvanized steel wire mesh in hood
- e) stainless steel wire mesh in hood

12. Single arm / fan installation will include :

- a) DFR-8 fan for 3" arm [115/1/60 only]
- b) DFR-9 fan for 4" arm [115/1/60 only]
- c) DFR-11 fan for 5" arm [115/1/60 only]
- d) DF-01 fan for 6" arm [specify voltage]
- e) DF-02 fan for 8" arm [specify voltage]

13. Oval magnet base hood for fume capture :

- a) 3" inlet with 3" x 6" oval hood
- b) 4" inlet with 4" x 8" oval hood
- c) 5" inlet with 5" x 10" oval hood
- d) 6" inlet with 6" x 12" oval hood
- e) 8" inlet with 8" x 14" oval hood
- f) hood air volume damper
- g) flexible hose for duct connection (refer to page 7 of MAXIREEL leaflet for selection)

Note : specifications listed above may be modified to suit application. Contact A.Q.C. or representative for information.

Your A.Q.C. representative is :

To obtain a free copy of our full-colour corporate brochure, please call : 1-866-629-4356



660, de la Sabliere, Bois-des-Filion (Quebec) Canada J6Z 4T7
Tel. : 1-866-629-4356 • Fax : (450) 621-6677
Web site : www.aqcdust.com • e-mail : info@aqcdust.com