

CONFIDENTIAL: THIS DOCUMENT CONTAINS INFORMATION WHICH IS PROPRIETARY TO UAS, AND SHOULD BE PROTECTED ACCORDINGLY.

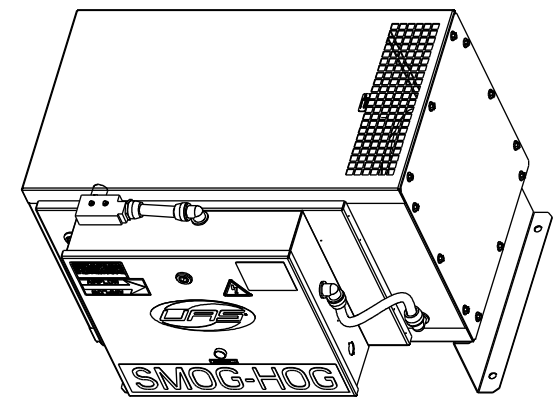
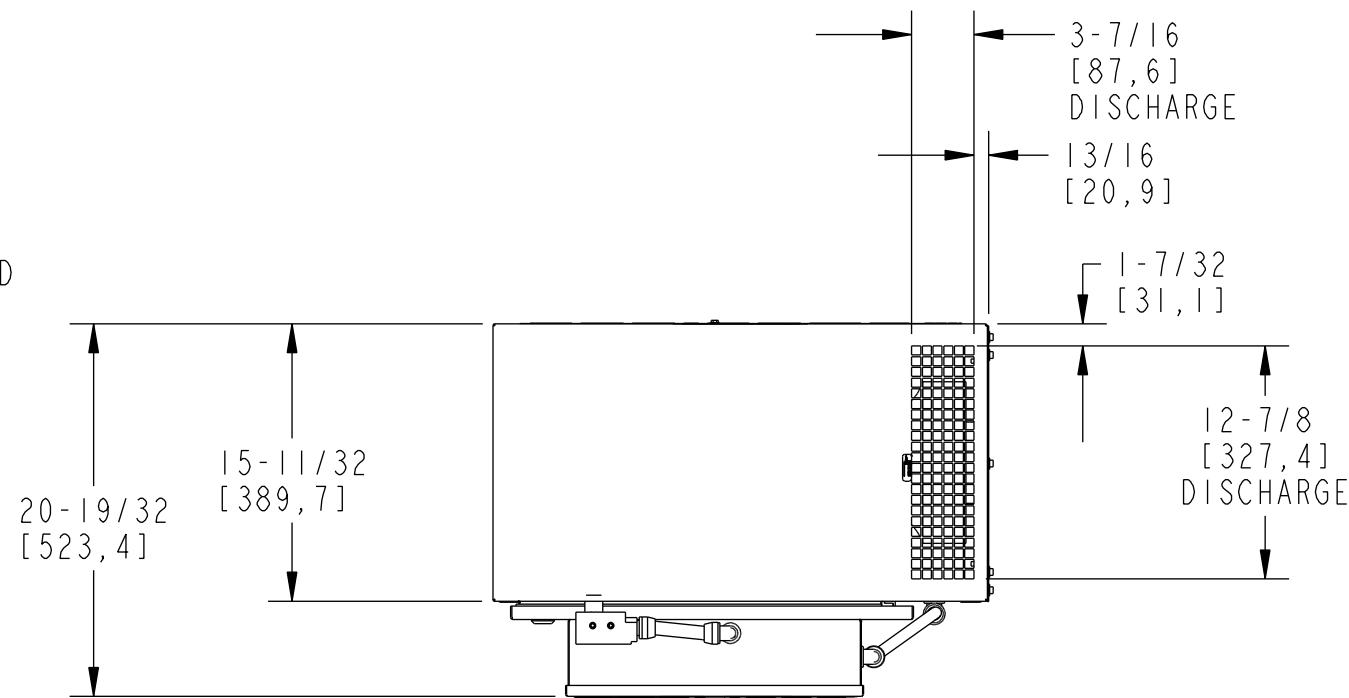
THIS DRAWING IS NOT TO BE SCALED. FOR ADDITIONAL INFORMATION, PLEASE CONTACT OUR ENGINEERING DEPT.

REVISIONS

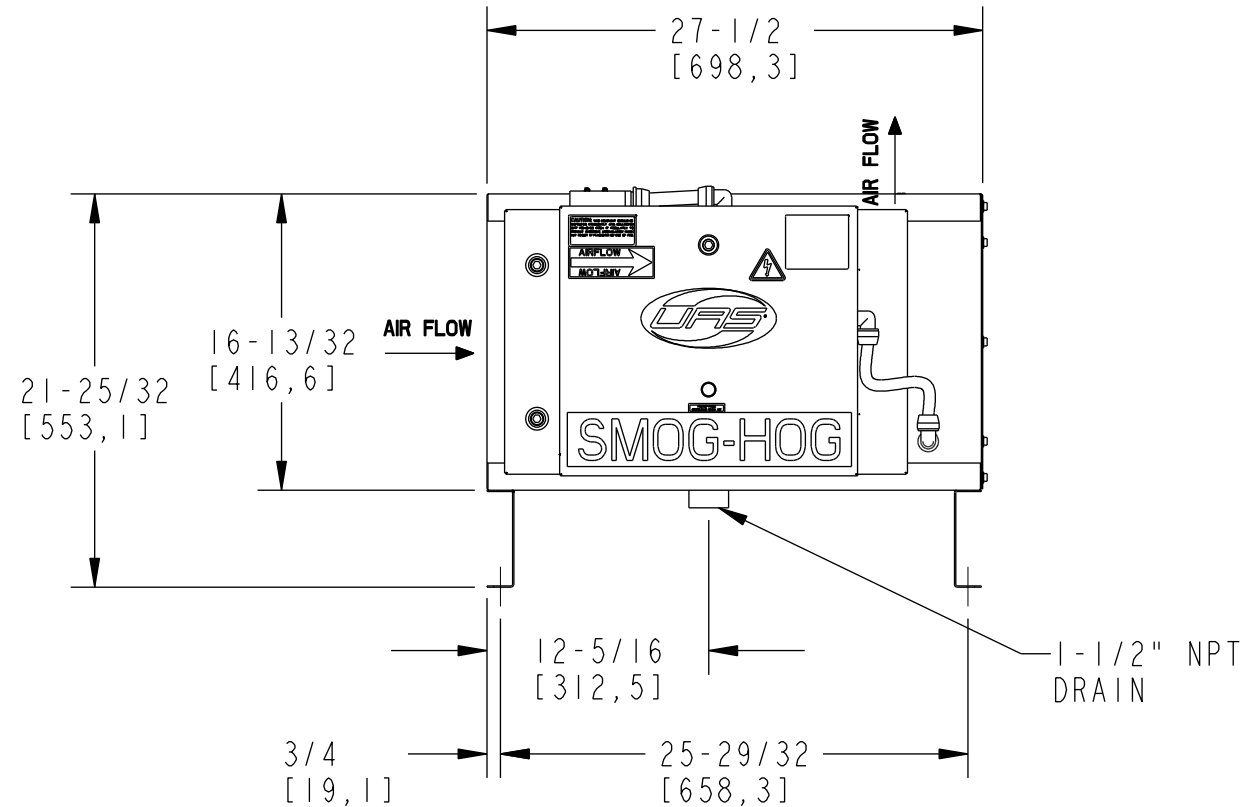
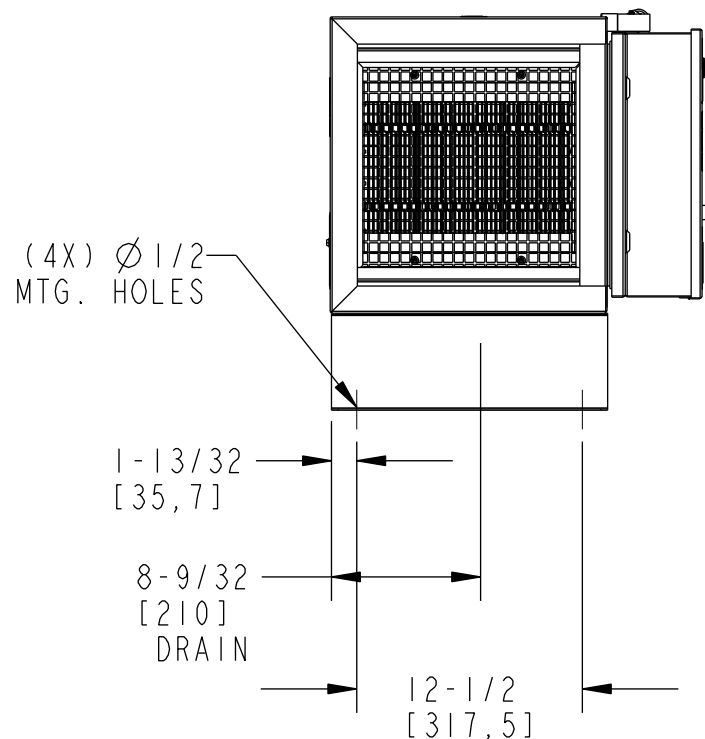
LTR	DESCRIPTION	DATE	APPROVED
A	ECN 6420 - REMOVED KNOCKOUTS	12/9/13	GRW
B	ECN 6443 - LEG HEIGHT RAISES, LATCHES, PAINT	2/20/15	GMG


NOTES:

- AIRFLOW: 500 NOMINAL CFM
- INPUT VOLTAGE: 115/1/60
- MOTOR: 1/4 HP TEFC, 1.2 FLA
- MATERIAL: 16GA CRS CONSTRUCTION
- FINISH: PHOSPHATIZED AND BAKED POLYURETHANE WHITE GREY PAINT
- WEIGHT: APPROX. 102 LBS
- FOR MAINTENANCE AND SERVICE, MINIMUM SUGGESTED CLEARANCE IS 25" DOOR SIDE OF UNIT AND 15" ON RIGHT SIDE FOR MOTOR/BLOWER ACCESS.



SCALE 0.078



UNLESS OTHERWISE SPECIFIED: DIMENSIONS ARE IN INCHES. TOLERANCE: FRAC. DECI. ANGLES ± N/A ± N/A ± N/A	SIGNATURES	MO-DA-YR	DESCRIPTION	SIZE	PART NUMBER	REV	 UNITED AIR SPECIALISTS CINCINNATI, OHIO
	DRAWN: WDF CHECK: MAG	12/12/08 12/12/08	MSH-05 115/1/60, L/R	B 44-10511	B 0.094	B SHEET 1 of 1	