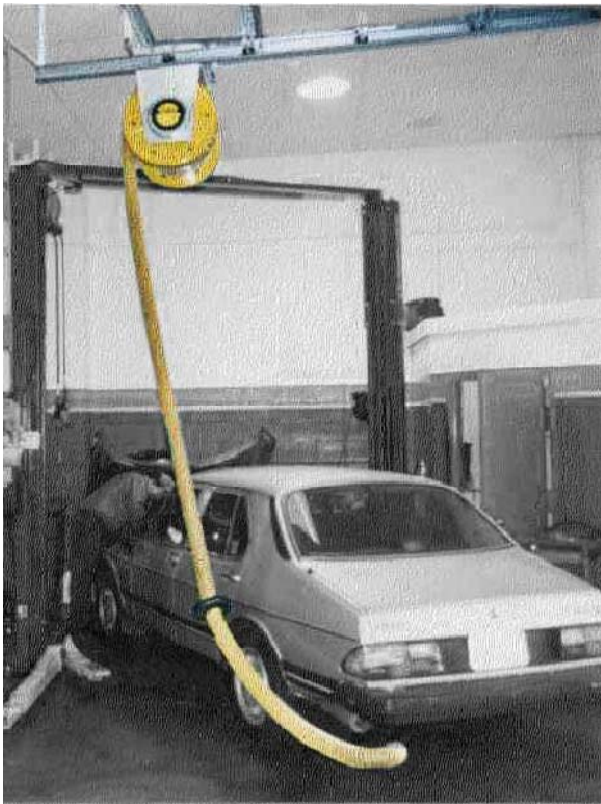
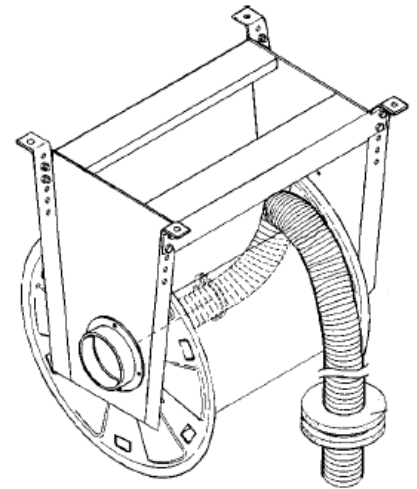




VEHICLE EXHAUST CASE STUDY *SPRING OPERATED HOSE REEL SOLUTION*

John Casele, owner of J.C. Auto Repair needed a solution to prevent his employees from breathing the exhaust emissions from cars and trucks. He needed **Clean Air**.



The solution was the strategic placement of PlymoVent spring operated hose reels with auto start micro switches. Each hose reel stores 25' of high temperature hose that can be connected directly to the tailpipes of operating vehicles. When the hose is pulled down for use, the exhaust fan starts automatically and vents the exhaust emissions directly out doors.

The solution lowered energy bills in heating and air conditioning, provided a clean and safe working environment for his employees and kept the hoses stored safely out of the way for increased work space and longer life expectancy.

For more information on designing a vehicle exhaust system, or the hazards of diesel exhaust, contact Clean Air Company today.



428 NEW BRUNSWICK AVENUE, FORDS, NJ 08863

800-738-0911

WWW.CLEANAIRCO.COM