

MHR HOSE REEL

Motorized Hose Reel

TECHNICAL DATA

UNIT SPECIFICATION

Motor type

Supply power	120, 220 or 230 V
Phase	1 phase
Current	2 amps
Frequency	50 or 60 Hz
Output	0,44 kW

Lifting capacity

With power supply of 220/230 V maximum load is 23 kg/50 lbs. With power supply of 120 V maximum load is 15 kg/33 lbs.

Installation

On ceiling or wall.

Maintenance

Normal wear, no maintenance required. See owner's manual.

Temperature range

Depending on hose,

from +150°C/300°F to +650°C/1200°F.

Max hose length

Depending on choice of hose diameter. See chart on next page.

Model range

Comes in the models of MHR-650, MHR-850 and MHR-1050.



CONSTRUCTION

A. Zinc coated drum with attached end plates of lacquered metal sheet.

B. Stand made of profiled, zinc plated metal sheet.

C. Hose guide, which controls the hose in its first revolution.

D. Hose.

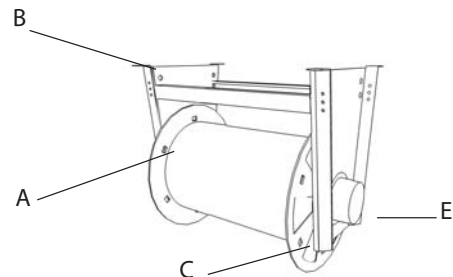
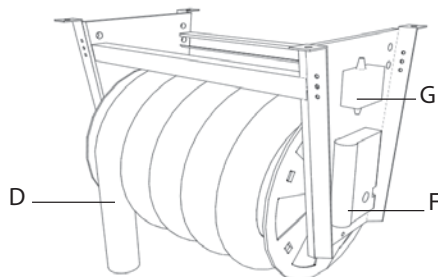
Note! Hose must be ordered separately.

E. Adapter to fan or central exhaust system.

F. Motor.

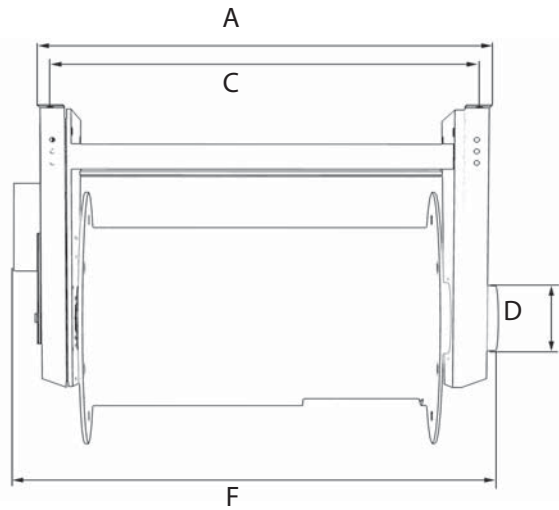
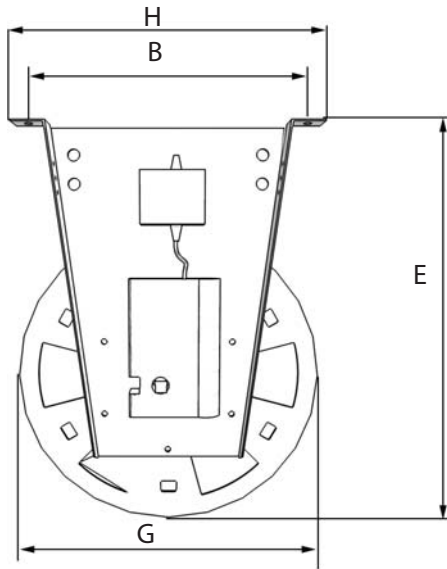
G. Control box

The motor is not designed for constant operation. If used for constant operation, built in thermal overload relay will release. Operation will automatically restart when motor temperature decreases.



DIMENSIONAL DATA

	MHR-650	MHR-850	MHR-1050
A	830 mm/32.7"	1030 mm/40.5"	1230 mm/48.4"
B	500 mm/19.7"	500 mm/19.7"	500 mm/19.7"
C	774 mm/30.5"	974 mm/38.3"	1174 mm/46.2"
D	Ø 160 mm/6.30"	Ø 160 mm/6.30"	Ø 160 mm/6.30"
E	790 mm/31.1"	790 mm/31.1"	790 mm/31.1"
F	870 mm/34.3"	1070 mm/42.1"	1270 mm/50.0"
G	600 mm/23.6"	600 mm/23.6"	600 mm/23.6"
H	580 mm/22.8"	580 mm/22.8"	580 mm/22.8"



Hose Length Chart

Prod.no.	Hose diameter	Max Hose length on drum	Weight without hose
MHR-650-100	Ø 100 mm/4 inch	10.0 m/32.8 ft	46 kg/101 lbs
MHR-650-125	Ø 125 mm/5 inch	8.50 m/27.9 ft	46 kg/101 lbs
MHR-650-150	Ø 150 mm/6 inch	7.50 m/24.6 ft	46 kg/101 lbs
MHR-850-100	Ø 100 mm/4 inch	13.0 m/42.6 ft	51 kg/112 lbs
MHR-850-125	Ø 125 mm/5 inch	11.0 m/36.1 ft	51 kg/112 lbs
MHR-850-150	Ø 150 mm/6 inch	10.0 m/32.8 ft	51 kg/112 lbs
MHR-1050-100	Ø 100 mm/4 inch	16.0 m/52.5 ft	56 kg/123 lbs
MHR-1050-125	Ø 125 mm/5 inch	14.0 m/45.9 ft	56 kg/123 lbs

Control units

Three control units are available with on-off push buttons, a pendant control, a wall mounted control or a wireless control.



See separate data sheets for information on available nozzles, fans and hoses.



PlymoVent USA
375 Raritan Center Parkway
Edison, NJ 08837
Tel: (800) 644-0911
Fax: (732)417-1818
www.plymovent.com
info@plymoventusa.com

PlymoVent representative