

SER

– Spring Operated Exhaust Reel

TECHNICAL DATA

Unit specification

Model range

Comes in the models
SER-450 (75mm/3", 100mm/4" hose)
SER-650 (100mm/4", 125mm/5" hose)
SER-850 (125mm/5", 150mm/6" hose)
SER-1050-200 with 200mm/8" hose connection

Hose mounting kits SER-450, -650 and 850

Includes hose stop, connection reducer and clamps.
MAS-75 for 75mm/3", hose
MAS-100 for 100mm/4", hose
MAS-125 for 125mm/5", hose
MAS-150 for 150mm/6", hose

Max hose length

10m on the hose reel.

Lifting capacity

Maximum load is 19 kg/42 lbs.-450,650,850
Maximum load is 34kg/75 lbs.-1050-200

Installation

On ceiling or wall.

Maintenance

Normal use, no maintenance required.
See owner's manual.

Temperature Range

Depending on hose, from +150°C/300°F to +350°C/660°F.
Temperatures over 150°C/300°F, intermittent use only.

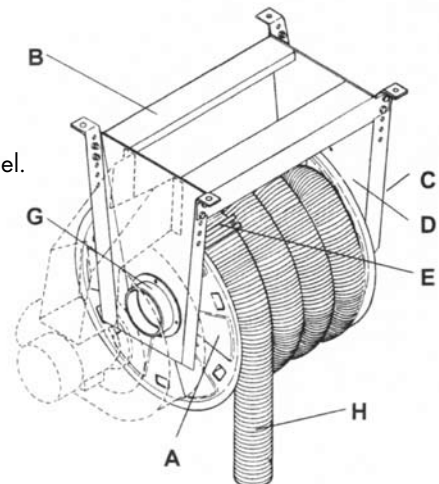
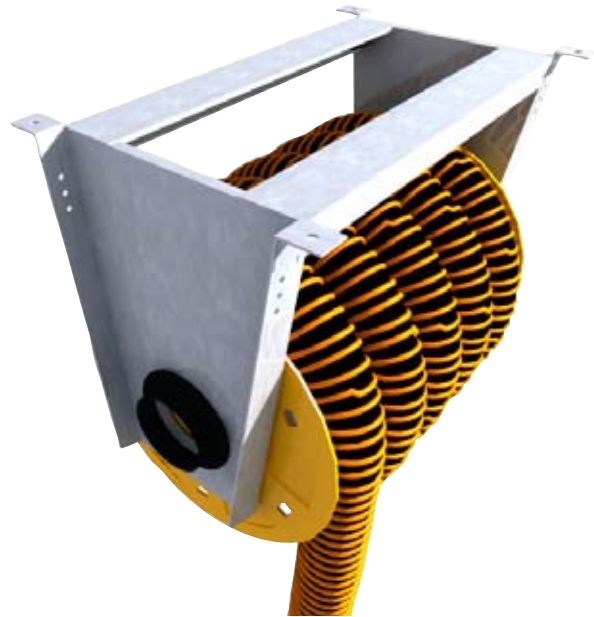
Airflow recommended

Cars 360 m³/h (210 cfm).
Trucks 1080 m³/h (635 cfm).

Design

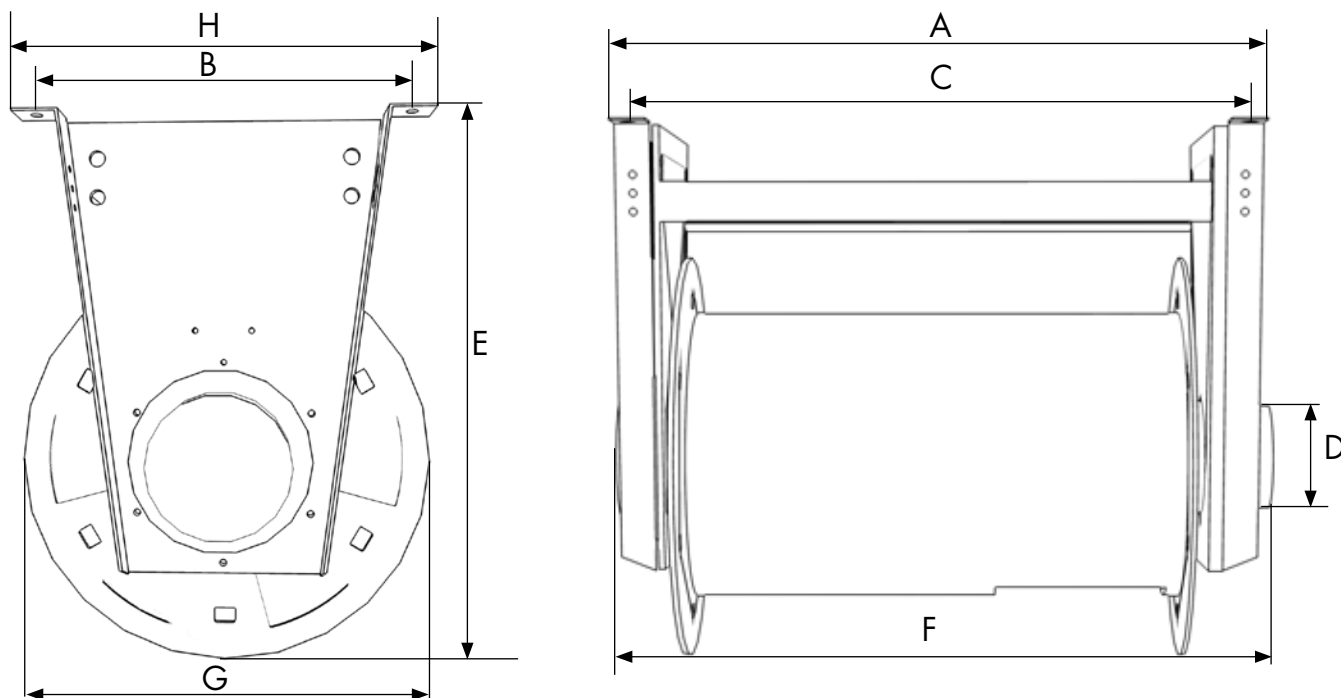
Spring hose reel without fan:

- A. Zinc coated drum with attached end plates of powder painted steel.
- B. Stand made of profiled, zinked sheet metal.
- C. Spring set with one spring of first class spring steel.
- D. Ratchet lock, locking the hose in required position.
The hose will be released at next pull.
- E. Hose stop. Positioned for adequate height at return.
- G. Adapter to fan or central exhaust system.
- H. Hose. Note! Hose must be ordered separately.



DIMENSIONS

	SER-450	SER-650	SER-850	SER-1050-200
A	630mm/24.8"	830 mm/32.7"	1030 mm/40.5"	1230mm/48.4"
B	500mm/19.7"	500 mm 19.7"	500 mm/19.7"	525mm/20.7"
C	574mm/22.6"	774 mm/30.5"	974 mm/38.3"	1174mm/46.2"
D	Ø 160 mm/6.30"	Ø 160 mm/6.30"	Ø 160 mm/6.30"	Ø200mm/7.87"
E	790 mm/31.1"	790 mm/31.1"	790 mm/31.1"	1117mm/44"
F	650mm/25.6"	850 mm/33.5"	1050 mm/41.3"	1100mm/43.3"
G	600 mm/23.6"	600 mm/23.6"	600 mm/23.6"	735mm/28.9"
H	552mm/21.7"	552mm/21.7"	552mm/21.7"	577mm/22.7"



PRESSURE LOSS

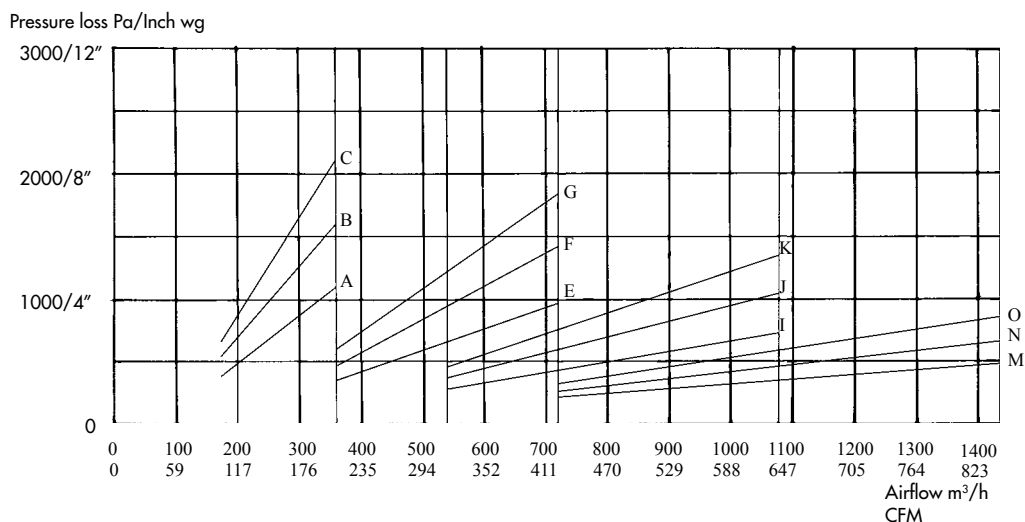
The diagram shows the pressure loss in the hose reels at different airflows in rolled out position.

Read the diagram at the recommended airflows;
 Cars 360 m³/h (211 cfm).
 Trucks 1080 m³/h (635 cfm).

The diagram shows these combinations of hose diameter/hose length:

- A.** Ø 75 mm, 5 m/ 3", 16 ft.
- B.** Ø 75 mm, 7.5 m/ 3", 25 ft.
- C.** Ø 75 mm, 10 m/ 3", 33 ft.
- E.** Ø 100 mm, 5 m/ 4", 16 ft.
- F.** Ø 100 mm, 7.5 m/ 4", 25 ft.
- G.** Ø 100 mm, 10 m/ 4", 33 ft.
- I.** Ø 125 mm, 5 m/ 5", 16 ft.
- J.** Ø 125 mm, 7.5 m/ 5", 25 ft.
- K.** Ø 125 mm, 10 m/ 5", 33 ft.
- M.** Ø 150 mm, 5 m/ 6", 16 ft.
- N.** Ø 150 mm, 7.5 m/ 6", 25 ft.
- O.** Ø 150 mm, 10 m/ 6", 33 ft.

Pressure loss SER-1050-200
 1100Pa at 2000m³/h /
 4,4" at 1175cfm.



ACCESSORIES

Hose types

EH-PV

High quality crush resistant hose designed for temperatures from 40°C/104°F to 150°C/300°F. Recommended for areas where exhaust hose will be subjected to vehicles driving over the exhaust hose.

EF

High quality fabric composite hose designed for exhaust gas temperatures from 300°C/570°F to 350°C/660°F intermittent use. Recommended for areas that service heavy trucks and off-road vehicles.

EG

High quality fabric composite hose designed for exhaust gas temperatures from 200°C/390°F to 220°C/430°F intermittent use. Recommended for areas that service cars and light trucks.

Hose recommendations

Prod.no.	Hose diameter	Hose length	Weight without hose
SER-450-75	Ø 75 mm/3 inch	7,5 m/24 ft	44 kg/97 lbs
SER-450-100	Ø 100 mm/4 inch	6 m/20 ft	44 kg/97 lbs
SER-650-100	Ø 100 mm/4 inch	10 m/33 ft	49 kg/108 lbs
SER-650-125	Ø 125 mm/5 inch	7,5 m/25 ft	49 kg/108 lbs
SER-850-125	Ø 125 mm/5 inch	10 m/33 ft	54 kg/119 lbs
SER-850-150	Ø 150 mm/6 inch	10 m/33 ft	54 kg/119 lbs
SER-1050-200	Ø 200mm/8 inch	10m/33ft	68kg/150lbs

Nozzles

See separate data sheets.



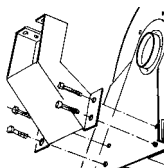
Fans

See separate data sheets.
F-serie direct mount fans
TEV- series central fans



Fan mounting kit

FMA-80 for FUA-1300-2100 (SER-450-650-850)
N/A for SER-1050-200



Micro switch MSR-24/2

Used for control of damper and/or fan on exhaust reels.



Starter SA-24

Starter for fan. Power supply 3-phase 230/400 V.



Motordriven damper MD/-160/-200

Motorised damper Ø 160/200mm. Power supply 24 VAC.



Transformer TR-24

Transformer 230/24 Volt to supply motordriven dampers when no other control equipment is used.



ECMSO

Manual motorstarters with overload. 1 - 16 A, 230 - 690 VAC



PLYMOVENT®

PlymoVent representative

Sales office
PlymoVent AB
Tangenten 2, Industrigatan 26,
SE-212 14 MALMÖ, Sweden
Tel: +46 40 30 31 30
Fax: +46 40 30 31 40
info@plymovent.se

USA
PlymoVent Corp.
115 Melrich Road
Cranbury, New Jersey 08512, USA
Tel: +1 (609) 395-3500
Fax: +1 (609) 655-0919
info@plymoventusa.com

Canada
PlymoVent Canada Inc.
24-1200 Aerowood Dr.
Mississauga, ON L4W 2S7, Canada
Tel: +1 (905) 564-4748
Fax: +1 (905) 564-4609
info@plymovent.ca
www.plymovent.com

England
PlymoVent Ltd
Marley Way, Southam Road
Banbury, OX16 2RA, England
Tel: +44 1295 25 93 11
Fax: +44 1295 27 17 50
info@plymovent.co.uk

