

## Safety Disconnect Handle (SDCH)

Plymovent's Safety Disconnect Handle is the easy and ergonomic way to operate your Plymovent FIRE system. With a Safety Disconnect Handle that does not block the flow of exhaust gasses through the hose, the dangerous gasses are removed as fast and efficient as possible. The Safety Disconnect Handle allows for an effortless handling and operation of both the pneumatic- and magnetic Plymovent systems. This product allows you to show that removal exhaust gasses from your Fire station is a serious matter and that you work with the best materials available.



### DESCRIPTION

Easy to use ergonomic handling and operation	✓
Ergonomic design	✓
Safety disconnect function	✓
Easy reconnect mechanism	✓
Available for both pneumatic and magnetic systems	✓
True 100mm (4") and 125mm (5") design for uninterrupted exhaust removal flow.	✓
Solid design for easy handling and operation.	✓
Available for both 100mm (4") and 125mm (5") hoses.	✓
Can be used on existing Plymovent FIRE systems	✓

### AVAILABLE ACCESSORIES

Product name	Art.no	Description
SDCH-P 100mm / 4"	90550-1011 702502-A	Safety Disconnect Handle - Pneumatic for 100mm / 4" hose
SDCH-P 125mm / 5"	90555-1011 702503-A	Safety Disconnect Handle - Pneumatic for 125mm / 5" hose
SDCH-M 100mm / 4"	90560-1011 /702500	Safety Disconnect Handle - Magnetic for 100mm / 4" hose
SDCH-M 125mm / 5"	90565-1011 702501	Safety Disconnect Handle - Magnetic for 125mm / 5" hose

### APPLICATIONS

The Safety Disconnect Handle is suitable to operate with the following Plymovent extraction systems:

- The Plymovent SBT system
- The Plymovent STR system
- The Plymovent hose reels / drops

### AMBIENT CONDITIONS

Operating temperature	-5°C / 23°F to 60°C / 140°F
Use	Indoor use only
Storage conditions	-5°C to +60°C (23°F-140°F)

### SCOPE OF SUPPLY

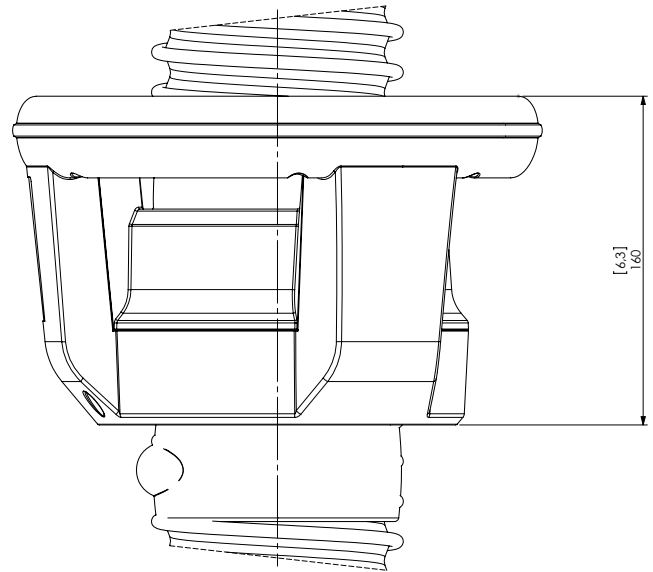
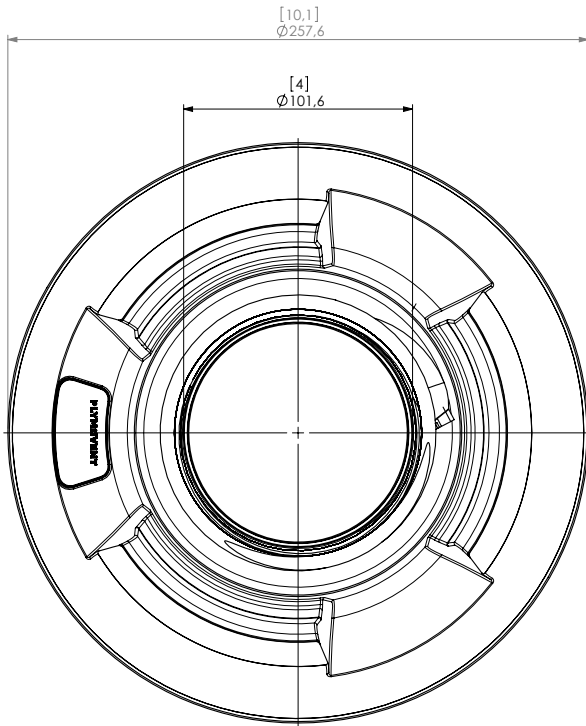
The Safety Disconnect Handle - Pneumatic:

- 1 x the Safety Disconnect Handle
- 1 x the integrated air valve top operate the Plymovent Grabber®

The Safety Disconnect Handle - Magnetic

- 1 x the Safety Disconnect Handle

## TECHNICAL DATA



### PHYSICAL DIMENSIONS AND PROPERTIES

Article number	90550 - 1011    702502-A 90555 - 1011    702503-A 90560 - 1011    702500 90565 - 1011    702501
Safety Disconnect: - Standard release force setting	<ul style="list-style-type: none"> <li>• approx 150 N / 33 lb-force</li> <li>• approx 450 N / 99 lb-force</li> </ul>
Certifications	• PAK / TUV
Pneumatic valve	<ul style="list-style-type: none"> <li>• In: Unregulated air Max 6 bar / 87 Psi</li> <li>• Out: Regulated air for Grabber® Max. 1 bar / 15 Psi</li> </ul>
Material	Nylon PA6 (30%) aluminium inner flanges.
Weights SDCH SDCH incl Mechanical Air valve	1,55 kg / 3.4 lbs 1,75 kg / 3.8 lbs
Dimensions	See drawing above

### USER INSTRUCTIONS

#### Using the Plymovent Pneumatic Safety Disconnect handle:

When a vehicle drives into the station attach the Pneumatic Grabber® to the tailpipe (touching the Grabber® stop) and press down on the valve. The Grabber® will now be inflated and connect to the tailpipe creating a positive seal and engage the exhaust removal fan. The exhaust removal fan will start automatically.

When the vehicle exits the station the Grabber® will disconnect automatically putting the valve in the empty position (valve will pop up).

#### Using the Plymovent Magnetic Safety Disconnect handle:

When a vehicle drives into the station attach the Magnetic Grabber® to the tailpipe connector. The Magnetic Grabber® is now connected and the exhaust removal fan will start automatically.

When the vehicle exits the station the Grabber® will disconnect automatically.

#### Balancer Locking Cable

In every application of the SDCH a Balancer locking cable should be used. Please make sure this part is present at your system.