

FEB

- Swing-Arm Hose Dropper

TECHNICAL DATA

Unit specification

Weight

Depending on model. See charts below.

Vertical hose length

5m / 16,4ft standard.

Airflow recommended

Cars 360m³/h / 211 cfm.

Trucks 1080m³/h / 635 cfm.

Installation

On wall or column.

Maintenance

Normal use, no maintenance required.

See owner's manual.

Hoses

EH-PV High quality crush resistant hose designed for temperatures from 150°C/300°F to 205°C/400°F intermittent use. Recommended for areas where exhaust hose will be subjected to vehicles driving over the exhaust hose.

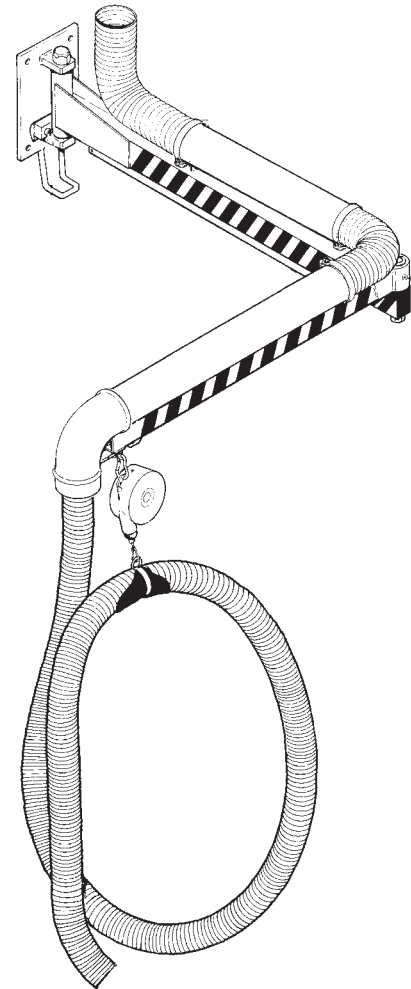
Optional hoses for higher temperatures available on request.

NOTE: Nozzles and fans not included. See separate data sheet.

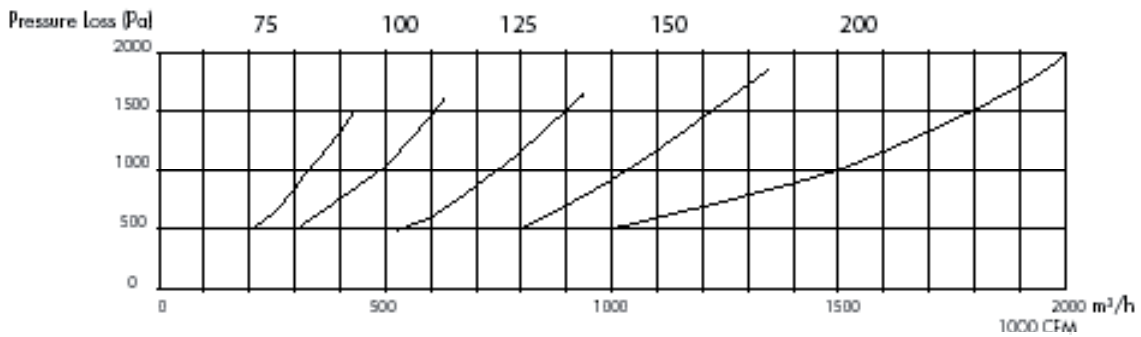
Model range

Prod.no.	Arm Length	Hose Diameter	Weight	Recommended Airflow
FEB-4,5-100	4,5m/14,8ft	100mm/4"	56.4 kg/124 lbs	360m ³ /h / 212 cfm
FEB-4,5-125	4,5m/14,8ft	125mm/5"	57.4 kg/126 lbs	540m ³ /h / 318 cfm
FEB-4,5-150	4,5m/14,8ft	150mm/6"	58.4 kg/128 lbs	1080m ³ /h / 636 cfm
FEB-6-100	6m/ 19,7ft	100mm/4"	83,2kg/183lbs	360m ³ /h / 212 cfm
FEB-6-125	6m/ 19,7ft	125mm/5"	84,2kg/185lbs	540m ³ /h / 318 cfm
FEB-6-150	6m/ 19,7ft	150mm/6"	85,2kg/187lbs	1080m ³ /h / 636 cfm
FEB-8-100	8m/ 26,2ft	100mm/4"	112,4kg/247lbs	360m ³ /h / 212 cfm
FEB-8-125	8m/ 26,2ft	125mm/5"	113,4kg/249lbs	540m ³ /h / 318 cfm
FEB-8-150	8m/ 26,2ft	150mm/6"	114,4kg/252lbs	1080m ³ /h / 636 cfm

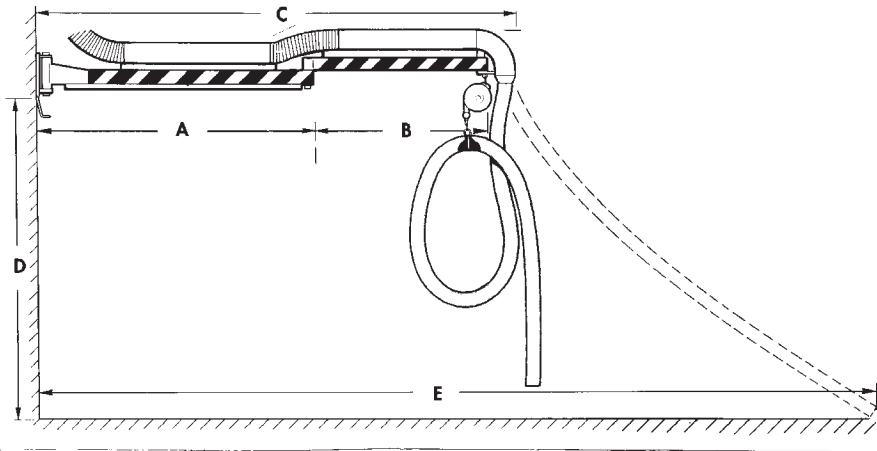
200mm / 8" models available on request



PRESSURE LOSS



DIMENSIONAL DATA



Prod.no.	A mm/inch	B mm/inch	C mm/inch	D mm/inch	E mm/inch
FEB-4,5-100, -125, -150	2500/100	2000/80	4500/180	3500/140	9050/362
FEB-6-100, -125, -150	3500/140	2500/100	6000/240	3500/140	10700/428
FEB-8-100, -125, -150	4500/180	3500/140	8000/320	3500/140	12700/508

ACCESSORIES



Accessories and supplementary products

- Exhaust hoses in different diameters, lengths and temperature ratings.
- PlymoVent offers a range of nozzles to find the right connection to your vehicle.
- Motorised damper, direct activated or via damper controller ICE-IC.
- Fan starters ECMSO, SA-24, M-1000 or PCU-1000 depending on application and requirements.
- PlymoVent offers a range of direct mounted fans or central fans as a complement to your exhaust system.
- More options and accessories at www.plymovent.com

PLYMOVENT®

PlymoVent Corp
 375 Raritan Center Parkway
 Edison, N.J. 08837
 Tel: 732-417 0808, Fax: 732-417 1818
www.plymovent.com info@plymovent.usa.com

PlymoVent Inc
 6615 Ordan Drive, Unit #3
 Mississauga, Ont. L5T 1X2
 Tel: 905-564 4748, Fax: 905-564 4609
www.plymovent.ca info@plymovent.ca

PlymoVent representative

PlymoVent AB reserves the right to make design changes. 060111

TIN_FEB_060228_USCA