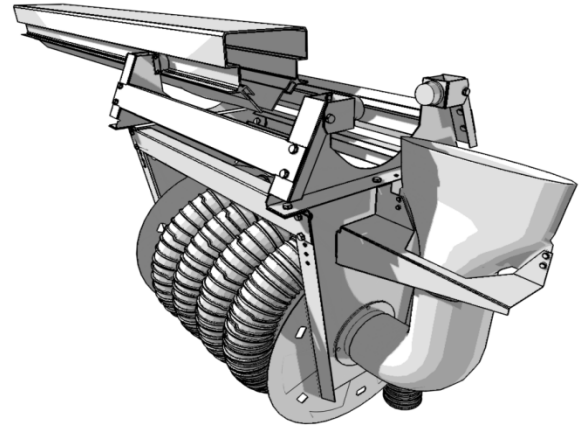




## VEHICLE EXHAUST CASE STUDY *HOSE REEL ON A RAIL SOLUTION*

The Port Authority of NY & NJ, in their commitment to employee safety and health, installed a PlymoVent vehicle exhaust removal system in one of their fleet maintenance facilities. They required a source capture system to be code compliant and needed a system that provided *Clean Air* in the work place.



Clean Air Company installed PlymoVent hose reels mounted on a rail system. This configuration allowed a hose reel to travel on the rail the full length of the maintenance area. The hose reel stored up to 25' of a high temperature exhaust hose used to connect to the vehicle tailpipes.



This design made the system user friendly which encourages employee use while at the same time providing vehicle positioning mobility.

For more information on designing a vehicle exhaust system or the hazards of diesel exhaust contact Clean Air Company today.

428 NEW BRUNSWICK AVENUE, FORDS, NJ 08863

800-738-0911

[WWW.CLEANAIRCO.COM](http://WWW.CLEANAIRCO.COM)