

PLYMVENT®

clean air at work

INDUSTRIAL | DOWN AND BACKDRAFT TABLES



DRAFTMAX: A SOLID LINE OF DOWN AND BACKDRAFT TABLES FOR A SAFE AND CLEAN WORK ENVIRONMENT

Are your production personnel (i.e. welders, fabricators, assemblers, etc.) exposed to welding and grinding dust contaminant? Plymovent, a world-leader in fume, dust extraction and filtration, has developed a new generation of down and backdraft tables – DraftMax – to address these and other contaminants that welders and workers are commonly exposed to within the metal working and manufacturing industries.



REDUCE EXPOSURE TO WELDING FUMES AND GRINDING DUST

The innovative design of the DraftMax renders safety concepts into reliable, practical solutions for extraction and filtration of welding fumes and grinding dust. Plymovent's DraftMax line of tables has been designed to be a flexible solution that can be placed anywhere—even inside a welding booth. The tables remove hazardous fumes and dust from the breathing zone of welders, fabricators and production personnel to reduce contaminant exposure.

ADVANTAGES

- Strong down and backdraft extraction capacity
- Innovative three-stage spark arrestor for fire risk reduction
- Quiet operation with built-in silencer(s) and automatic start/stop capabilities
- Ergonomic, user friendly design including front-door access allowing for quick and easy maintenance
- Movable side and back panels to accommodate large work pieces
- Designed to meet or exceed latest standards: cULus certification, MERV⁽¹⁾ rated filters, OSHA and ACGIH guidelines⁽²⁾
- Innovative filter design ensures:
 - Maximum filter life with 560 ft² (52m²) filter surface area, excellent air-to-cloth ratio and face velocity
 - Effective depth cleaning, lower pressure drops and fewer cleaning cycles
 - Lower energy consumption and operating costs
- State-of-the-art pneumatic self-cleaning system and PLC controls

MULTIPLE SOLUTIONS FOR VARIOUS WORKPLACE NEEDS

The DraftMax line consists of four models to meet your specific application: DraftMax Eco, DraftMax Basic, DraftMax Advance and DraftMax Ultra. Each model has been designed to meet all international standards that regulate and guide workplace environments. With the latest air and filtration techniques, low maintenance costs, and ergonomic design, the DraftMax line of tables makes it simple to work productively and safely.

⁽¹⁾ Minimum Efficiency Reporting Value (MERV) of filters has been tested by an independent laboratory using ASHRAE 52.2 (1999) test standards.

⁽²⁾ The operation of extraction and filtration systems can be affected by various factors including proper system design, operation and service/maintenance. Exposure levels should be checked upon installation and periodically thereafter to ensure they fall within applicable OSHA and ACGIH guidelines.

CHOOSE THE RIGHT SYSTEM TO SUPPORT YOUR REQUIREMENTS

DRAFTMAX ECO – TABLE WITHOUT FAN AND FILTER

The DraftMax Eco is an economically affordable choice that can be easily connected to a centralized fan and filtration system. The DraftMax Eco comes with a three-stage spark arrestor and no internal fan and filter. With the correct central fan and filtration system design, the DraftMax Eco is excellent for welding, grinding and cutting applications.

DRAFTMAX BASIC – TABLE WITH DISPOSABLE FILTER

If your welding or grinding frequency is moderate, DraftMax Basic provides a filter surface of no less than 560 ft² (52 m²) which guarantees high filter performance and a long filter life, thus keeping the operational costs of the filter system low.

DRAFTMAX ADVANCE – TABLE WITH MANUAL SELF-CLEANING FILTER

Best suited for medium to heavy welding or grinding, the DraftMax Advance comes equipped with a manual, pneumatic self-cleaning filter system in which the filter sections are periodically blasted clean with compressed air pulses. The extraction power remains constant and the filters are cleaned in sequence resulting in more effective cleaning.

DRAFTMAX ULTRA – TABLE WITH AUTOMATIC SELF-CLEANING FILTER

When your welding or grinding frequency is intensive, the DraftMax Ultra provides optimal ease-of-operation along with an automatic start/stop. Equipped with an automated, pneumatic self-cleaning filter system, the cleaning mechanism is activated automatically when the pressure differential across the filter reaches a certain value. In addition, the presence of pressurized air is permanently monitored and the filter-cleaning mechanism can also be activated automatically when the fan is switched off (offline cleaning).

Plymovent DraftMax Basic, Advance and Ultra model illustration:

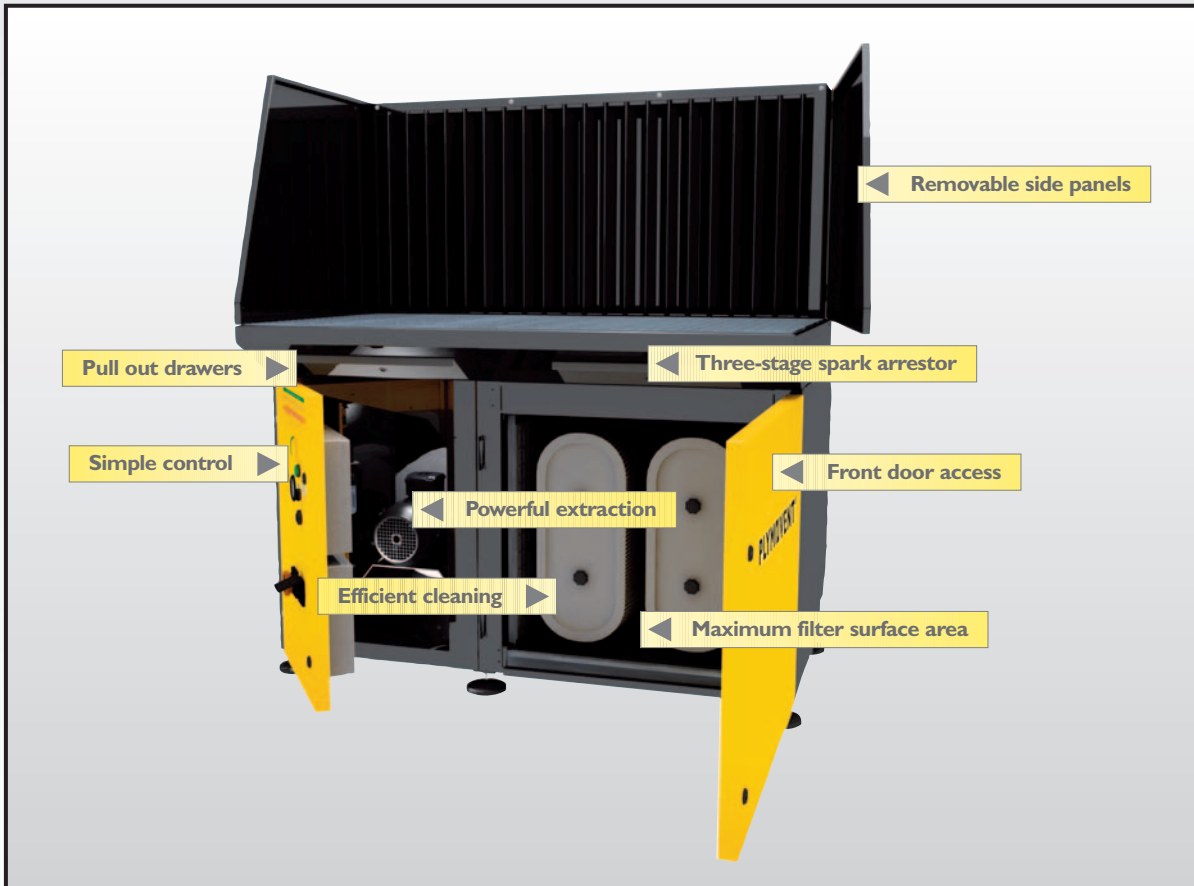
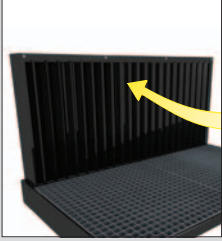


TABLE OPTIONS: DraftMax downdraft tables can be expanded with the following accessories to meet your needs.



BACKDRAFT KIT | BA U (Standard with E)

Backdraft kit for welding and grinding applications, consisting of narrowing plates to be mounted underneath the work grid and a backdraft extraction module. Extraction capacity: 80% backdraft and 20% downdraft.



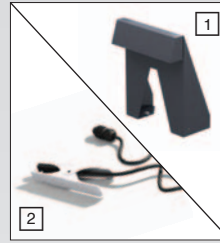
WORKING LIGHT | EBAU

Light fixture, to be mounted to the back panel or backdraft kit.



BACK PANEL | BA U

Functions as a deflector plate for grinding applications. It also prevents sparks, tools, metal and other parts from falling behind the downdraft table. The back panel can be easily removed to accommodate large work pieces.



AUTOMATIC START/STOP | U

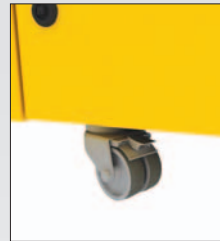
Available with Option 1 **OR** Option 2

- 1 Motion sensor device.
- 2 Inductive welding cable sensor device to be attached to the ground cable of a welding machine.



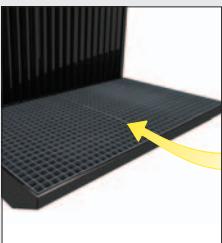
SIDE PANELS | BA U (Standard with E)

Hinged side panels used in combination with back panel or backdraft kit. Panels improve extraction effectiveness by reducing influences of drafts and prevent tools, metal, etc., from falling along side of downdraft table. Side panels can swivel or be removed to accommodate large workpieces.



WHEELSET | BA U

Wheelset for mobility and for service purposes.



PLASMA CUTTING WORK GRID | EBAU

Work grid for plasma cutting (max. 50 amps).



BENCH VICE MOUNTING BRACKET | EBAU

To be attached to the work grid. Suitable for various types of bench vices. Mounted to standard work grid only.



HEPA KIT | BA U

HEPA final filter kit, consisting of filter housing with HEPA filter, to be mounted at the outlet of the downdraft table. Filter surface: 366 ft² (34 m²). Filter class: HEPA II.



DUST FREE KIT | BA U

Lid to cover the dust tray underneath the main filter cartridges to enable dust free removal.



SILENCER/OUTLET DUCT | BA U

- To be used as a silencer and to prevent dust from blowing up from the floor.
- When used in a welding cabin, it also prevents air turbulence in the cabin and air disturbance to the adjacent cabin.



OUTLET CONNECTION FLANGE | BA U

Outlet connection flange for duct connection. (Image not available)

ACCESSORIES LEGEND

E - DraftMax Eco

B - DraftMax Basic

A - DraftMax Advance

U - DraftMax Ultra

DRAFTMAX TECHNICAL SPECIFICATIONS

DRAFTMAX ECO, BASIC, ADVANCE AND ULTRA APPLICATIONS⁽³⁾

- MIG welding
- TIG welding
- Flux-cored welding
- Stick welding
- Grinding
- Cutting
- Polishing



DRAFTMAX TECHNICAL SPECIFICATIONS

- Dimensions (L x W x H):
54.3 x 39.5 x 36 in (1380 x 1005 x 920 mm)
- Dimensions working grid (L x W):
53.75 x 29.5 in (1366 x 750 mm)
- Noise level*:
 - 74 dB(A) without options
 - 69 dB(A) with silencer
 - 67 dB(A) with silencer and HEPA kit
- Input requirements*:
 - 208-240-460 V / 3 / 60 Hz
 - 575 V / 3 / 60 Hz
- Motor power*: 3 HP (2.2 kW)
- Weight:
 - Eco: 330 lbs (150 kg)
 - Basic: 540 lbs (245 kg)
 - Advance and Ultra: 562 lbs (255 kg)
- Workload:
 - 440 lbs (200 kg)
 - With wheelset: 330 lbs (150 kg)
- Filter surface area*:
 - 2 x 279 ft² (2 x 26 m²)
 - 560 ft² (52 m²)
- Filter efficiency*: MERV Rated⁽¹⁾
- HEPA filter class*: II
- Extraction capacity: 1471 CFM (2500 m³/h)

WHY PLYMOVENT

- Expert advice and solutions designed specifically to meet your application and environment needs
- Innovative, reliable, environment-friendly technology
- Attractive performance/price ratio and ROI
- Worldwide dealer network with local service and support expertise
- Over 30 years proven application experience



* Relevant only to Basic, Advance and Ultra models.

⁽¹⁾ Minimum Efficiency Reporting Value (MERV) of filters has been tested by an independent laboratory using ASHRAE 52.2 (1999) test standards.

⁽³⁾ Certain applications only applicable when down and backdraft tables are provided with appropriate accessories (refer to available options/accessories).

THE PLYMOVENT COMMITMENT

Plymovent has more than 30 years of experience providing source capture solutions globally. Thousands of our systems have been installed to protect workers from airborne contaminants in their environment. The Plymovent DraftMax downdraft tables are ideal for the following types of welding and grinding environments:

- Schools
- Production Floors
- Job Shops
- General Industry

Plymovent continuously works with its industry suppliers as well as governmental organizations to design and engineer products that meet or exceed our customers' expectations worldwide. Visit us at www.plymovent.com.

PLYMOVENT®

clean air at work

PLYMOVENT NORTH AMERICA

USA:
115 Melrich Road
Cranbury, NJ 08512

T 800 644 0911
T 609 395 3500
F 609 655 0569

CANADA:
24-1200 Aerowood Drive
Mississauga, ON L4W 2S7

T 800 465 0327
T 905 564 4748
F 905 564 4609



©2008 Plymovent®. Plymovent® is a registered trademark of Plymovent.

PNA-IB-0808-023